

技术规格书-A0/Technical Specification-A0

YG1024 系列电连接器/YG1024 Series Electrical Connector

• 产品概述/Product instruction

 <p>应用场景/Application 适用于信号系统连接 Suitable for signal system connection</p>	<p>优势/Advantages</p> <ul style="list-style-type: none"> ✓ 体积小 Small size ✓ 重量轻 Light weight ✓ 二次锁紧 Secondary locking
--	--





• 订货信息/Ordering information

产品名称/ Product name	产品型号/ Product model	产品编码/ Product code	适配电缆(mm²)/ Compatible cable	备注/ Remarks
插头/ Plug	YGC1024-EV-S32P	112010102051	Φ0.5mm-Φ1.5mm	不含插孔、堵头，单独配料，详见配件清单/ Excluding receptacles and seal plugs, supplied as separate components. For details, refer to the accessory list.
插座/ Receptacle	YGC1024-EV-P32R	112022000693	Φ0.5mm-Φ1.5mm	不含插针、堵头，单独配料，详见配件清单/ Excluding receptacles and seal plugs, supplied as separate components. For details, refer to the accessory list.

• 配料清单/Components list

订货信息(按零部件明细单独采购)/Ordering information (components to be purchased separately per parts list)

产品名称/ Product name	产品型号/ Product model	产品编码/ Product code	数量/ Qty	接线规格/ Wiring specification	图示(参考)/ Diagram(for reference)	备注/ Remarks
-----------------------	------------------------	-----------------------	------------	-------------------------------	------------------------------------	----------------

插孔/Socket	Φ1.6 冲制插孔(镀金)/ Φ1.6 stamped socket (gold-plated)	501021401210	n(≤6)	Φ0.75mm- Φ1.5mm		单独订购/ Purchased separately
	Φ1 冲制插孔(镀金)/ Φ1 stamped socket (gold-plated)	501021401212	n(≤26)	Φ0.5mm		单独订购/ Purchased separately
插针/Pin	Φ1.6 冲制插针(镀金)/ Φ1.6 stamped pin(gold-plated)	501021401209	n(n≤6)	Φ0.75mm- Φ1.5mm		单独订购/ Purchased separately
	Φ1 冲制插针(镀金)/ Φ1 stamped pin(gold-plated)	501021401211	n(≤26)	Φ0.5mm		单独订购/ Purchased separately
Φ1.6 孔堵头/ Φ1.6 seal plug	YG378 密封塞/ YG378 cavity plug	115980018401	6-n	/	/	单独订购/ Purchased separately
Φ1 孔堵头/ Φ1 seal plug	YG938 堵头/ YG938 seal plug	114069802405	26-n	/	/	单独订购/ Purchased separately

• 技术数据/Technical data

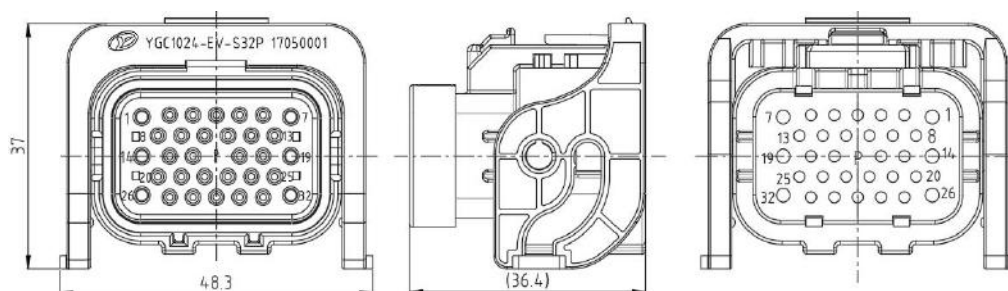
基本信息/Basic information	
芯数/Numbers of pins	32
出线方向/Cable outlet direction	180°
壳体材质/Shell material	塑料/Plastic
屏蔽功能/Shielding function	否/No
电气性能/Electrical specification	
额定电压/Rated voltage	24V DC
额定电流/Rated current	5A(0.5mm ² 、0.75mm ²)、8A(1mm ²)、10A(1.5mm ²)
绝缘电阻/Insulation resistance	≥200MΩ(常态)/ ≥200MΩ(常态/normal state)
耐电压/Withstand voltage	1000 V(500HZ AC 常态)/ 1000 V(500HZ AC normal state)
HVIL(Y/N))	否/No
机械性能/Mechanical specification	
插拔次数/Mating cycle	≥50 次/Times
耐环境性能/Environmental resistance specification	
工作温度/Ambient temperature	-40°C ~ +125°C
相对湿度/Humidity range	95%(40°C时)/95%(at 40°C)
盐雾/Salt spray	96h
防护等级/IP rating	IP67&IP6K9K
材料/涂覆/外观/Materials/Finish/Outline	
壳体/Shell	PA66
标准及认证/Standards and certifications	

阻燃等级/Flame retardant rating	UL94 V-0(塑料/plastic)
环保要求/Environment requirements	RoHS 2.0
污染等级/Pollution level	2

• 产品尺寸图及安装开孔尺寸/Product size & mounting hole dimension

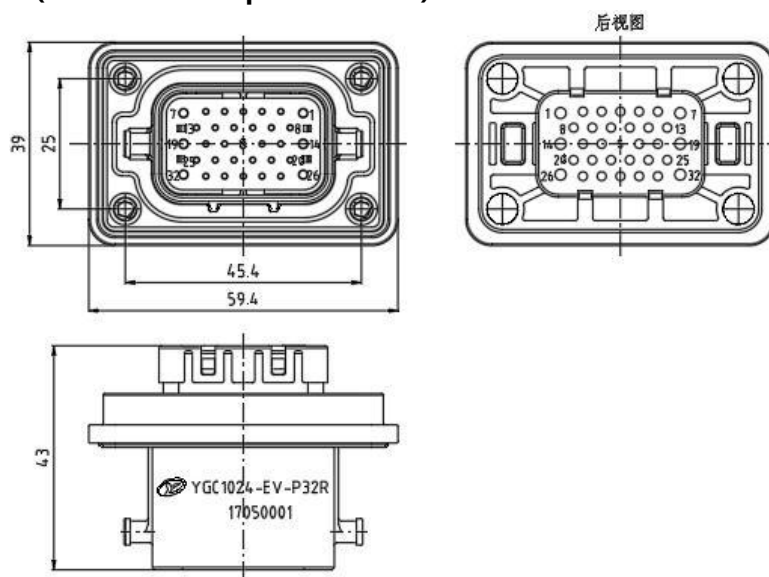
1. YGC1024-EV-S32P 插头 (未注公差±0.5)

YGC1024-EV-S32P plug (tolerance not specified ±0.5)



2. YGC1024-EV-P32R 插座 (未注公差±0.5)

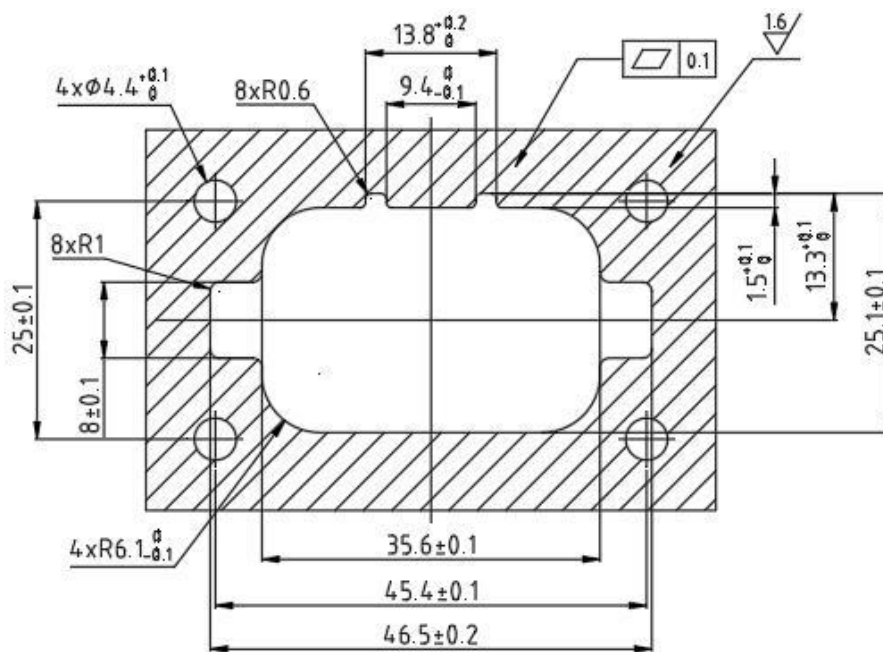
YGC1024-EV-P32R socket (tolerance not specified ±0.5)



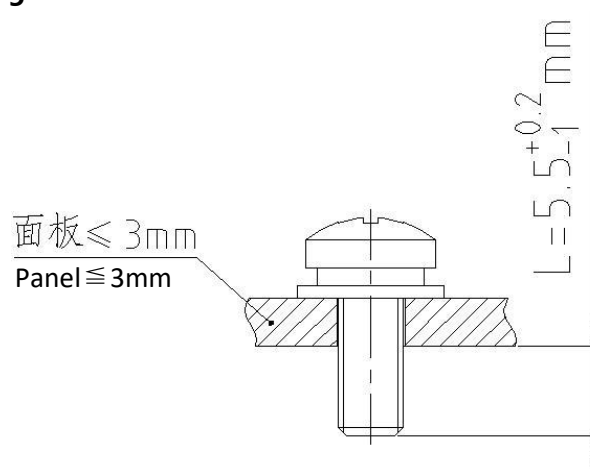


3.YGC1024-EV-P32R插座安装开孔尺寸(面板≤3mm)的推荐开孔尺寸

YGC1024-EV-P32R receptacle Recommended mounting hole dimensions (for panel thickness ≤3mm)



锁紧螺钉长度/Locking screw length:



• 安装说明/Installation

专用工具/Special tools	
退针工具/ Pin removal tool	Φ1.6 接触件退针工具型号 RTSCA-18(编码: 499000000152) Φ1 接触件退针工具型号: RTSCA-09 Φ1.6 Contact pin removal tool model: RTSCA-18 (Code: 499000000152) Φ1 Contact pin removal tool model: RTSCA-09

• 储存/Storage

包装储存&转运说明/Storage& transportation	
存放要求/ Storage requirement	接触件(镀金、镀银)类零部件必须单独保存, 保持整洁、干净、通风。存储环境应控制在湿度≤60%、温度在5~30℃。参考保存期 6 个月。 Components with contact elements (gold-plated, silver-plated) must be stored separately, kept clean, tidy and in a well-ventilated environment. The storage environment shall be controlled with a humidity of ≤60% and a temperature ranging from 5°C to 30°C. The reference storage period is 6 months.
运输要求/ Transportation requirement	端子在包装、运输、转运和生产、装配过程中应避免碰撞、接触腐蚀性气体和液体、以及手直接接触等, 以保证端子接触表面良好。 During packaging, transportation, transfer, production, and assembly processes, terminals shall be protected from collisions, contact with corrosive gases and liquids, and direct hand contact, so as to ensure the good condition of the terminal contact surfaces.