

技术规格书B2/Technical Specification B2

ESC-HP400连接器/ESC-HP400 Connector

• 产品概述/Product instruction

	<p>优势/Advantages</p> <ul style="list-style-type: none"> ✓ 颜色/键位防呆 Color/Keying error-proofing ✓ 一体式弯式端子，避免转接不良 One-piece right-angle terminals to prevent poor connections ✓ 可 360° 旋转对插，释放线缆应力 360° rotatable mating to relieve cable stress
<p>应用场景/Application</p> <p>主要应用于箱式大储能、工商业储能、户用储能等领域，为储能系统的电池PACK、PCS等器件提供功率传输。</p> <p>It is mainly applied to fields such as containerized large-scale energy storage, industrial and commercial energy storage, and residential energy storage, providing power transmission for devices like battery PACKs and PCSs in energy storage systems.</p>	

• 订货信息/Ordering information

订货信息/ Ordering information						
序号/ No.	产品名称/ Product name	产品编号/ Product code	颜色/ Color	线规/ Cable specification	备注/ Remarks	
1	ESC-HP400-095-PY 插头 ESC-HP400-095-PY plug	115010039402	橙色 / Orange	95mm ²	产品尺寸图详情见：产品尺寸图及安装开孔尺寸处/ For detailed product dimension drawings and plug-receptacle mating keying diagrams, please refer to: Product Dimension Drawings and Mounting Hole Dimensions	
2	ESC-HP400-095-PB 插头 ESC-HP400-095-PB plug	115010039602	黑色 / Black			
3	ESC-HP400-120-PY 插头 ESC-HP400-120-PY plug	115010039401	橙色 / Orange	120mm ²		
4	ESC-HP400-120-PB 插头 ESC-HP400-120-PB plug	115010039601	黑色 / Black			
5	ESC-HP400-081-RY 插座 ESC-HP400-081-RY receptacle	112040106399	橙色 / Orange	M8 通孔/ M8 through hole		
6	ESC-HP400-081-RY 插座 (带防护帽) ESC-HP400-081-RY receptacle (with dust cap)	115110040601				
7	ESC-HP400-081-RB 插座 ESC-HP400-081-RB receptacle	112040106410	黑色 / Black			
8	ESC-HP400-081-RB 插座	115110040701				

	(带防护帽) ESC-HP400-081-RB receptacle (with dust cap)			
9	ESC-HP400-082-RY 插座 ESC-HP400-082-RY receptacle	115110034001	橙色 / Orange	M8 螺纹孔/ M8 threaded hole
10	ESC-HP400-082-RY 插座 (带防护帽) ESC-HP400-082-RY receptacle (with dust cap)	115110040602		
11	ESC-HP400-082-RB 插座 ESC-HP400-082-RB receptacle	115110034201	黑色 / Black	
12	ESC-HP400-082-RB 插座 (带防护帽) ESC-HP400-082-RB receptacle (with dust cap)	115110040702		

• 技术数据/Technical data

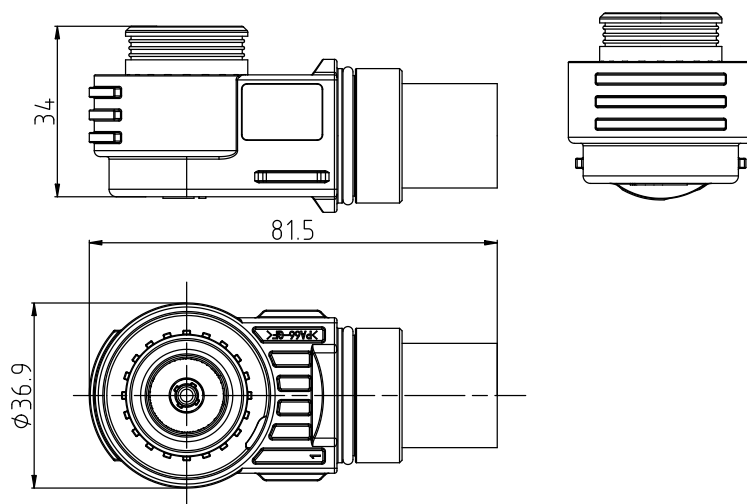
基本信息/Basic information	
芯数/Numbers of pins	1
端子规格/Terminal specifications	Φ14.5
电气性能/Electrical specification	
额定电压/Rated voltage	1500V DC
额定电流/Rated current	300A(95mm ²)/400A(120mm ²)
绝缘电阻/Insulation resistance	≥100MΩ
耐电压/Withstand voltage	6800V AC 50Hz
接触电阻 /Contact resistance	≤0.2mΩ
温升/Temperature rise	≤45K
端接方式 /Termination method	
端接方式/Termination method	插头: 双 B 型压接或六方压接/ Plug: Dual B-crimp or hexagonal crimp 插座: 螺纹锁紧 M8 扭矩 10N·m-12N·m/ Receptacle: M8 threaded locking, torque 10 N·m - 12 N·m
线缆规格/Cable specifications	95mm ² / 120mm ²
线缆外径 OD/Cable outer diameter	18.70±0.5mm/20.50±0.5mm
机械性能/Mechanical specification	
机械寿命/Life cycle	≥100 次/ cycles
振动/冲击 /Vibration and shock	QC/T 1067.1-2017 Vibration level V1
耐环境性能/Environmental resistance specification	
工作温度/Ambient temperature	-40°C ~ +125°C
相对湿度/Humidity range	5% ~ 95%
盐雾/Salt spray	96 H
防护等级/IP rating	IP67(对插后/after mating)
材料/涂覆/外观/Materials/Finish/Outline	
绝缘体/Insulator	工程塑料/ Engineering plastic
橡胶件/Rubber part	硅橡胶/Silicone rubber
接触件 /Contacts	铜合金 镀银/锡 / Copper alloy Silver-plated/Tin-plated

标准及认证/Standards and certifications	
阻燃等级/Flame retardant rating	UL94 V0 (主体材料/Main materials)
环保要求/Environment requirements	RoHS 2.0
产品认证/certification	CE、UL4128、TUV
参考标准 /Reference standard	UL4128、QC/T 1067.1-2017

• 产品尺寸图及安装开孔尺寸/Product size & mounting hole dimension

插头外形尺寸:

Plug outline dimensions:



插头配套发货零件尺寸:

Plug accessory and dimensions

订货信息/ Ordering information	配套信息/ Supporting information		
产品名称/产品编号 Product name/ Product number	M27 尾螺母 M27 Tail nut	封线体 Cable seal	φ22 尾盖(黑)/ φ22 Tail cover (black)
ESC-HP400-095-PY 插头/ ESC-HP400-095-PY plug 115010039402	 115550000401 (橙色 /Orange)	 114050501767	 114069805011
ESC-HP400-095-PB 插头/ ESC-HP400-095-PB plug 115010039602	 115550000501 (黑色 /Black)		

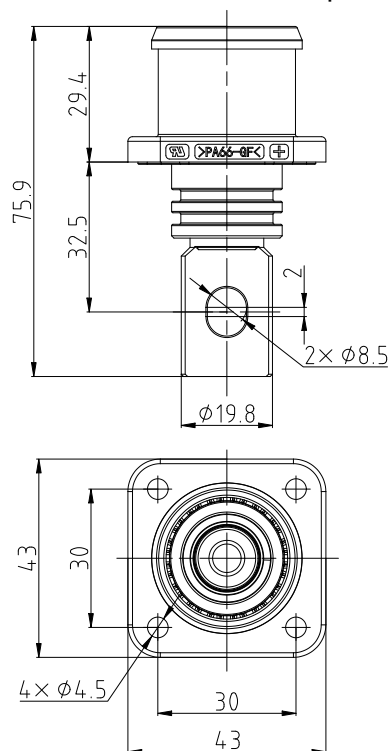
<p>ESC-HP400-120-PB 插头/ ESC-HP400-120-PB plug 115010039601</p>	<p>114069805069 (黑色 /Black)</p>	<p>114050501553</p>	
<p>ESC-HP400-120-PY 插头/ ESC-HP400-120-PY plug 115010039401</p>	<p>114069805010 (橙色 /Orange)</p>		

插座外形尺寸:

Receptacle outline dimension:

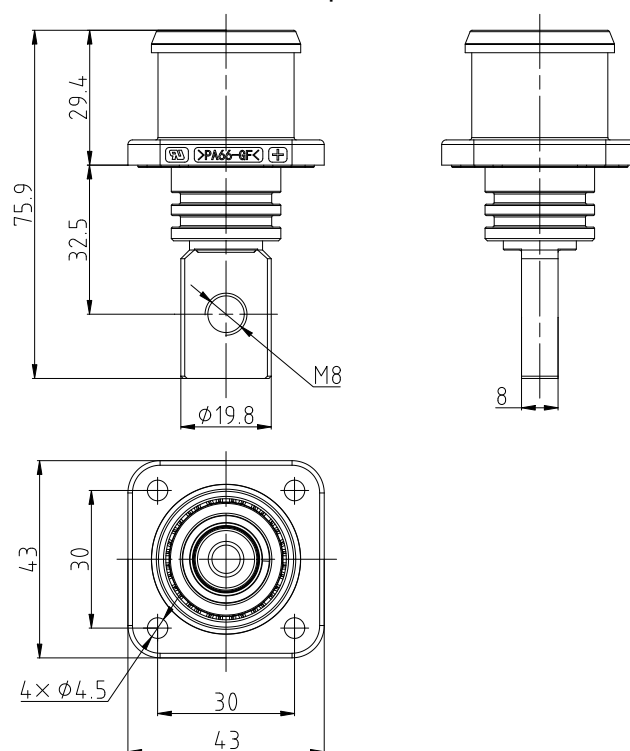
(1).ESC-HP400-081 插座系列:

ESC-HP400-081 receptacle series



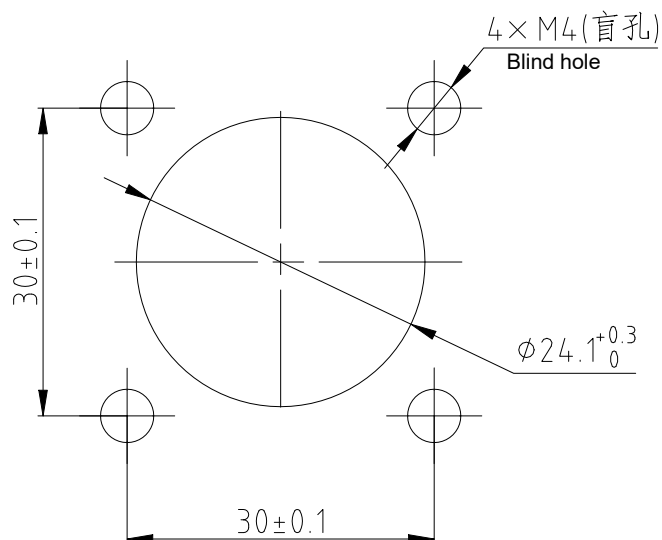
(2).ESC-HP400-082 插座系列:

ESC-HP400-082 receptacle series



安装开孔尺寸:

Mounting hole dimension:



• 包装/储存/使用/Packaging/Storage/Usage

包装储存说明 /Instructions for packaging and storage	
包装方式/ Packaging method	纸箱包装, 防潮处理. Carton packaging, moisture-proof treatment
存放要求/ Storage requirements	包装成箱的产品应在环境温度 $-10^{\circ}\text{C} \sim +40^{\circ}\text{C}$, 相对湿度 80%以下, 周围空气中无酸性, 碱性或其它腐蚀性气体的库房里贮存, 贮存期自生产日期不超过 1 年, 注意尾数使用后请及时封存。 Products packed in boxes should be stored in a warehouse with an ambient temperature of $-10^{\circ}\text{C} \sim +40^{\circ}\text{C}$, a relative humidity of less than 80%, and no acidic, alkaline or other corrosive gases in the surrounding air. The storage period shall not exceed 1 year from the date of production. Please note that the remaining products should be sealed in time after use.
使用说明/ Instructions for use	连接器应在提供的技术参数范围内使用, 并严格遵照产品使用说明书, 对产品进行安装、使用、维护。 Connectors should be used within the provided technical parameter range and strictly in accordance with the product instruction manual for installation, use, and maintenance of the product.