

技术规格书A6/Technical Specification A6

ESC-TB250 接线座/ESC-TB250 Terminal Block

• 产品概述/Product instruction

 <p>应用场景/Application 主要应用于风冷储能领域，为储能系统的电池 PACK、PCS 等器件提供功率传输。 Mainly used in air-cooled energy storage system, providing power transmission for components such as battery packs and PCS.</p>	<p>优势/Advantages</p> <ul style="list-style-type: none"> ✓ 罩盖防尘 Dust-proof cover ✓ 颜色防呆 Color fool-proof
---	--

• 订货信息/Ordering information

订货信息/Ordering information					
序号/ No.	产品名称/ Product name	产品编号/ Product code	颜色/ Color	线规/ Cable specification	备注/ Remarks
1	ESC-TB250-M8H-Y 接线座/ ESC-TB250-M8H-Y terminal block	113060300195	橙色 / Orange	Φ8.5 通孔/ Φ8.5 through hole	产品尺寸图及键位图详情见： 产品尺寸图及安装开孔尺寸处/ For product dimension drawings and key layout details, please see: Product Dimension Drawing and Mounting Hole Dimensions.
2	ESC-TB250-M8H-B 接线座/ ESC-TB250-M8H-B terminal block	113060300194	黑色 / Black		
3	ESC-TB250-M8T-Y 接线座/ ESC-TB250-M8T-Y terminal block	113060300205	橙色 / Orange	M8 螺纹孔/ M8 threaded hole	
4	ESC-TB250-M8T-B 接线座/ ESC-TB250-M8T-B terminal block	113060300204	黑色 / Black		
5	ESC-TB250-M6T-Y 接线座 ESC-TB250-M6T-Y terminal block	111009802758	橙色 / Orange	M6 螺纹孔/ M6 threaded hole	
6	ESC-TB250-M6T-B 接线座/ ESC-TB250-M6T-B terminal block	111009802759	黑色 / Black		

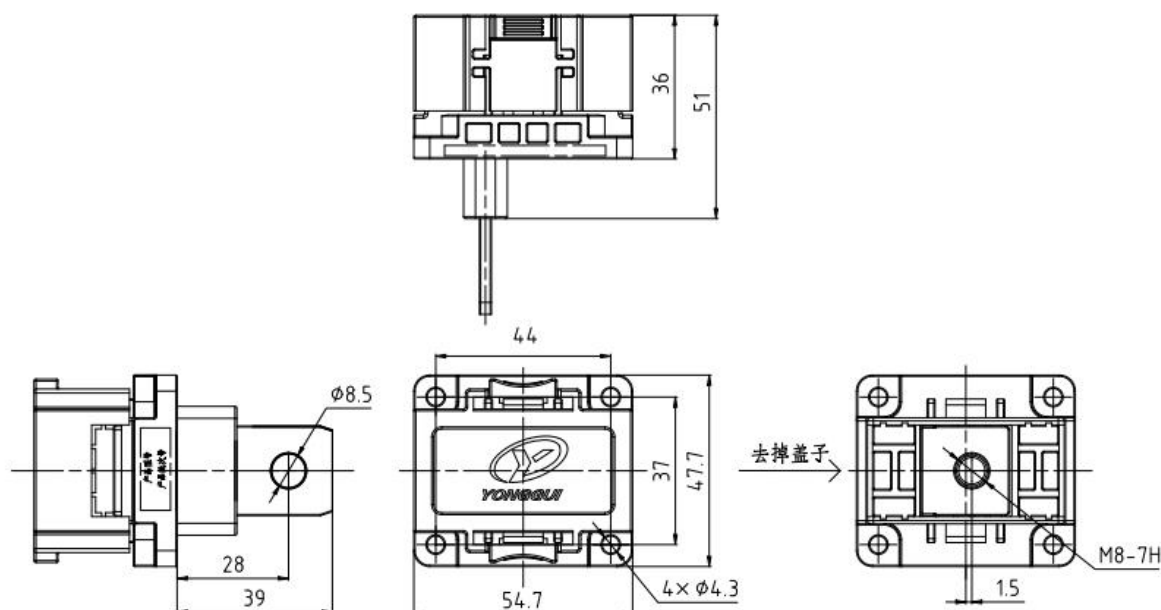
技术数据/Technical data

基本信息/Basic information	
芯数/Numbers of pins	1
端子规格/Terminal specifications	22.5×3
电气性能/Electrical specification	
额定电压/Rated voltage	1500V DC
额定电流/Rated current	200A(50mm ²)、250A(70mm ²)
绝缘电阻/Insulation resistance	≥100MΩ
耐电压/Withstand voltage	6800V AC 50Hz

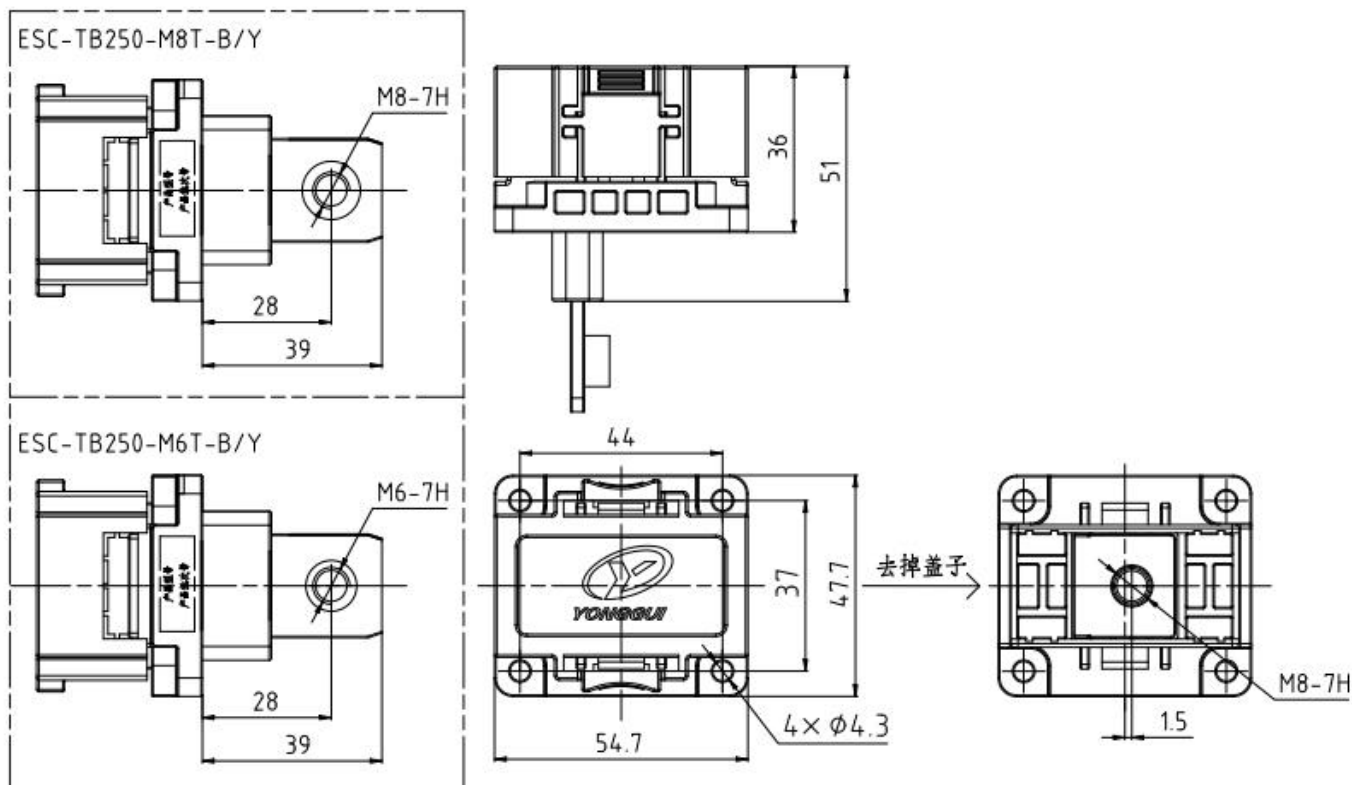
接触电阻/Contact resistance	≤0.3mΩ
温升/Temperature rise	≤45K
端接方式 /Termination method	
端接方式/Termination method	螺纹锁紧 M8/M6/ Threaded locking M8/M6 端接扭矩: 螺纹锁紧 M6 扭矩 5.5N•m-6N•m; 螺纹锁紧 M8 扭矩 10N•m-12N•m/ Termination torque: M6 threaded locking torque 5.5 N•m-6 N•m; M8 threaded locking torque 10 N•m-12 N•m
线缆规格/Cable specifications	50mm ² 、70mm ² (推荐适配铜排宽度/Recommended = busbar width :20mm)
安装方式/Installation method;	螺钉 M4/M4 screw
安装扭矩/Installation torque	1.8-2.2N•m
机械性能/Mechanical specification	
机械寿命/Life cycle	≥100 次/cycles
振动/冲击 /Vibration and shock	QC/T 1067.1-2017 Vibration level V1
耐环境性能 /Environmental resistance	
工作温度/Ambient temperature	-40°C ~ +125°C
相对湿度/Humidity range	5% ~ 95%
材料/涂覆/外观/Materials/Finish/Outline	
绝缘体/Insulator	工程塑料/Engineering plastic
接触件 /Contacts	铜合金 镀镍/Copper alloy Nickel plating
标准及认证/Standards and certifications	
阻燃等级/Flame retardant rating	UL94 V0 (主体材料)/ UL94 V0 (main material)
环保要求/Environment requirements	RoHS 2.0
产品认证/certification	CE、TUV
参考标准/Reference standards	UL4128、QC/T1067.1-2017

• 产品尺寸图及安装开孔尺寸/Product size & mounting hole dimension

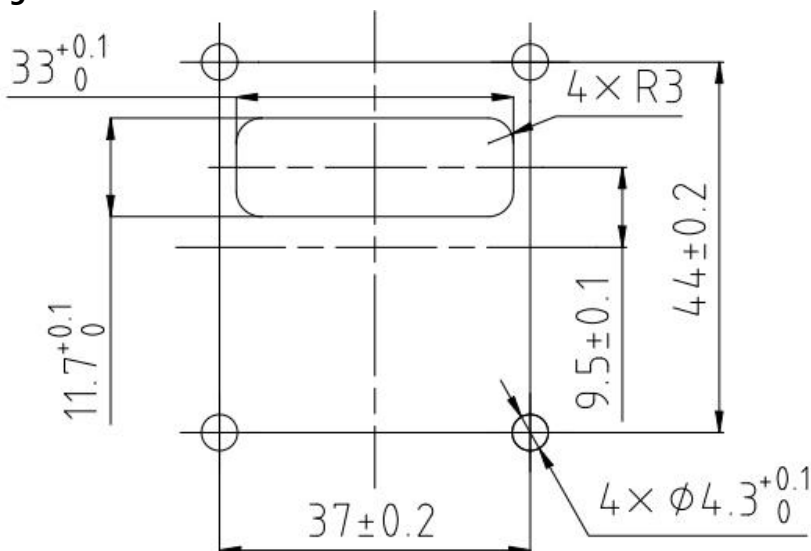
ESC-TB250-M8H-B/Y



ESC-TB250-M8T-B/Y、ESC-TB250-M6T-B/Y



安装开孔尺寸 Mounting hole dimension:



• 包装/储存/使用/Packaging/Storage/Usage

包装储存说明 /Instructions for packaging and storage

包装方式/ Packaging method	纸箱包装, 防潮处理. Carton packaging, moisture-proof treatment
存放要求/ Storage requirements	包装成箱的产品应在环境温度-10℃~+40℃, 相对湿度 80%以下, 周围空气中无酸性, 碱性或其它腐蚀性气体的库房里贮存, 贮存期自生产日期不超过 1 年, 注意尾数使用后请及时封存。 Products packed in boxes should be stored in a warehouse with an ambient temperature of -10℃ ~ +40℃, a relative humidity of less than 80%, and no acidic, alkaline or other corrosive gases in the

	surrounding air. The storage period shall not exceed 1 year from the date of production. Please note that the remaining products should be sealed in time after use.
使用说明/ Instructions for use	连接器应在提供的技术参数范围内使用，并严格遵照产品使用说明书，对产品进行安装、使用、维护。 Connectors should be used within the provided technical parameter range and strictly in accordance with the product instruction manual for installation, use, and maintenance of the product.