



YONGGUI  
证券代码:300351  
Stock Code: 300351

2024版 新能源互联方案

# 储能产品手册

Energy storage product manual

永 贵 连 接  
Connectors of Yonggui

连 接 专 家  
Connecting to specialists



## 浙江永贵电器股份有限公司

Zhejiang Yonggui Electric Equipment Co.,Ltd

地址: 浙江省天台县白鹤镇东园路5号(西工业园)  
Add: No.5 Dongyuan Road, Baihe Town, Tiantai County, Zhejiang  
邮编/P.C: 317201  
电话/Tel: +86 576-83938111  
传真/Fax: +86 576-83938100  
邮箱/E-mail: yongguisqb@yonggui.com  
网址/Web: http://www.yonggui.com

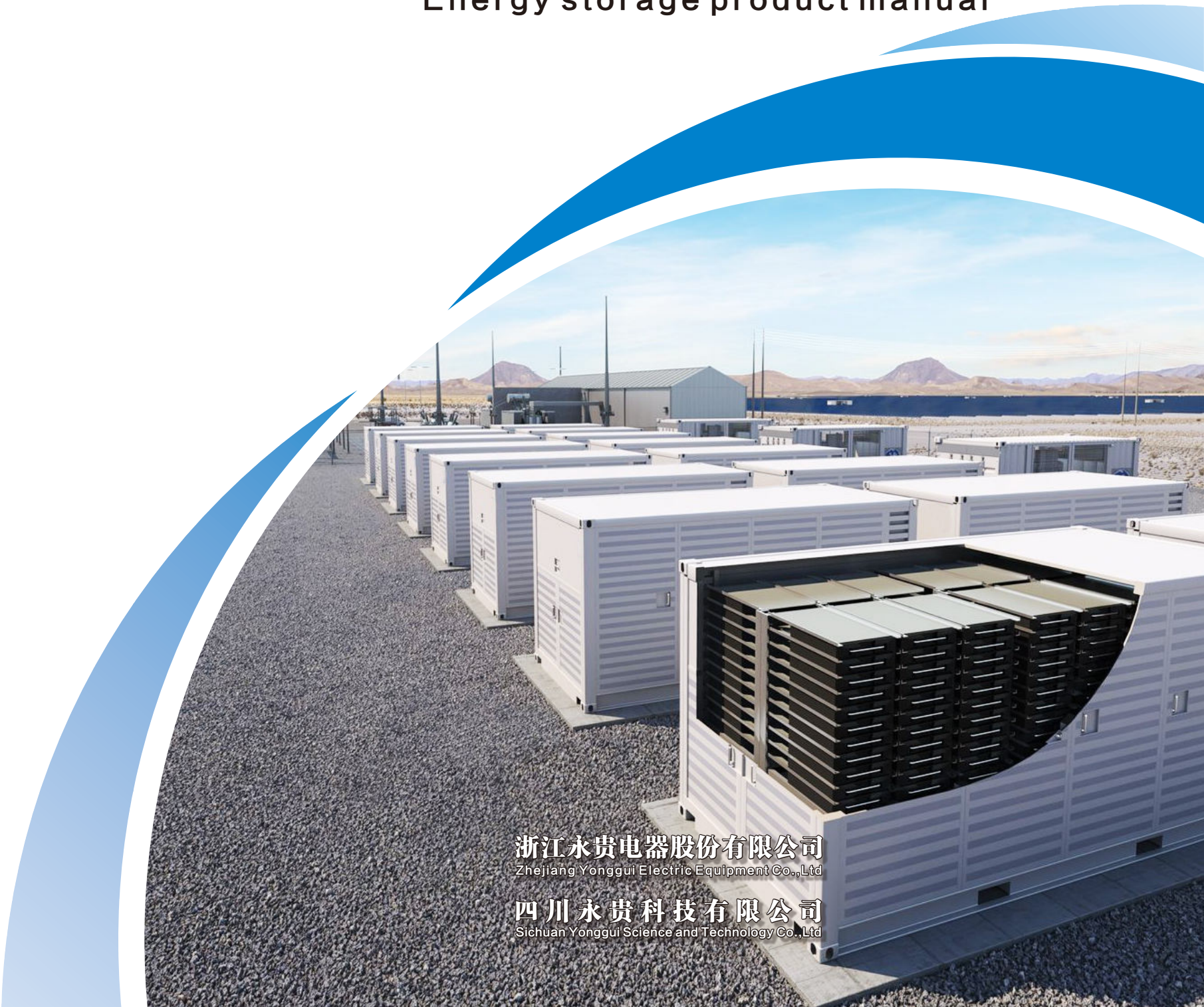
## 四川永贵科技有限公司

Sichuan Yonggui Science and Technology Co.,Ltd

地址: 四川省绵阳市涪城区金家林上街68号  
Add: No.68.Jinjialin upper street, Fucheng District,  
Mianyang, Sichuan  
邮编/P.C: 621000  
销售电话/Sales tel: 0816-2538443  
传真/Fax: 0816-2536042  
技术咨询/Service of technical: 0816-2539147 2534847  
网址/Web: http://www.yonggui-sc.com



扫码关注 我们



浙江永贵电器股份有限公司  
Zhejiang Yonggui Electric Equipment Co.,Ltd

四川永贵科技有限公司  
Sichuan Yonggui Science and Technology Co.,Ltd



# 总公司简介

## Company profile

浙江永贵电器股份有限公司  
Zhejiang Yonggui Electric Equipment Co., Ltd

浙江永贵电器股份有限公司始创于1973年，专注于各类电连接器、连接器组件及精密智能产品的研发、制造、销售和技术支持，是国内轨道交通连接器龙头企业，在新能源汽车高压互连产品与充电系统领域占据国内领先地位，2012年9月在深交所创业板上市，总部位于浙江台州，在四川、深圳、上海、江苏等地设有研发中心和生产基地，现有员工总数2000多人。

公司产品涉及轨道交通与工业、车载与能源信息、特种装备三大业务板块，进入了全国各地铁公司、比亚迪、吉利、上汽、一汽、广汽、长安等供应链体系，目标成为世界级互连方案提供商。

Zhejiang Yonggui Electric Appliance Co., Ltd. was founded in 1973, focusing on the research and development, manufacturing, sales, and technical support of various electrical connectors, connector components, and precision intelligent products. It is a leading domestic rail transit connector enterprise, occupying a leading position in the field of high-voltage interconnection products and charging systems for new energy vehicles. In September 2012, it was listed on the Shenzhen Stock Exchange Growth Enterprise Market, headquartered in Taizhou, Zhejiang, and located in Sichuan, Shenzhen, Shanghai Jiangsu and other regions have research and development centers and production bases, with a total of over 2000 employees.

The company's products involve three major business sectors: rail transit and industry, vehicle and energy information, and special equipment. They have entered the supply chain systems of various subway companies, BYD, Geely, SAIC, FAW, GAC, and Changan across the country, with the goal of becoming a world-class provider of interconnection solutions.





# 四川公司简介

Sichuan company profile

四川永贵科技有限公司  
Sichuan Yonggui Science and Technology Co., Ltd

四川永贵科技有限公司成立于2008年3月，注册资金1亿元，资产总值11.2亿元，系浙江永贵电器股份有限公司（股票代码：300351）的全资子公司。

公司占地180余亩，厂房及办公面积18万余平方米；其中，建成区面积11万余平方米；在建二期项目58余亩，建筑面积7万余平方米；拥有各类研发、生产设备4500余台（套），是国家级高新技术企业、国家知识产权示范企业、国家级专精特新小巨人企业、国家绿色工厂，拥有自主的核心技术，能为国家重点装备业提供可靠连接器系列产品及技术服务，为互连系统提供整体解决方案的专业化产品公司。

Sichuan Yonggui Science&Technology Co., Ltd. was established in March 2008, with a registered capital of 100 million yuan and a total asset value of 1.12 billion yuan. It is a wholly-owned subsidiary of Zhejiang Yonggui Electric Co., Ltd. (stock code:300351).

The company covers an area of more than 180 acres, with a factory and office area of more than 180,000 square meters. Among them, the built-up area is more than 110,000 square meters; the second phase project under construction is more than 58 acres, with a construction area of more than 70,000 square meters. With more than 4,500 units (sets) of various R&D and production equipment, Yonggui is a national high-tech enterprise, a national intellectual property demonstration enterprise, a national specialized and new small giant enterprise, and a national green factory. With independent core technology, Yonggui can provide reliable connector series products and technical services for the national key equipment industry, and is a professional product company that provides overall solutions for interconnection systems.





# YONGGUI

## 企业文化

Enterprise Culture

人本、高效、勤俭、创新

People-oriented, efficient, diligence, innovation.

## 企业宗旨

Enterprise Tenet

时刻跟随市场发展  
始终关注顾客需求

Always follow the development of the market  
and always pay attention to customer needs

## 经营理念

Enterprise Philosophy

以客户为中心 实现价值最大化

Customer centric, achieving maximum value

## 企业愿景

Enterprise Vision

致力于成为世界级互连方案提供商

Dedicated to becoming a world-class provider of interconnect solutions

## 企业核心价值观

Core values of the enterprise

天道酬勤 共创共赢

Hard work pays off, co creation and win-win situation



449<sup>+项</sup>

自主研发国家专利授权  
National authorized patent

50<sup>+种</sup>

公司检测试验设备  
Testing equipment

640<sup>+人</sup>

专业技术研发人员  
Professional technical research and  
development personnel

6<sup>↑</sup>

制造加工事业部  
Manufacturing and processing centers

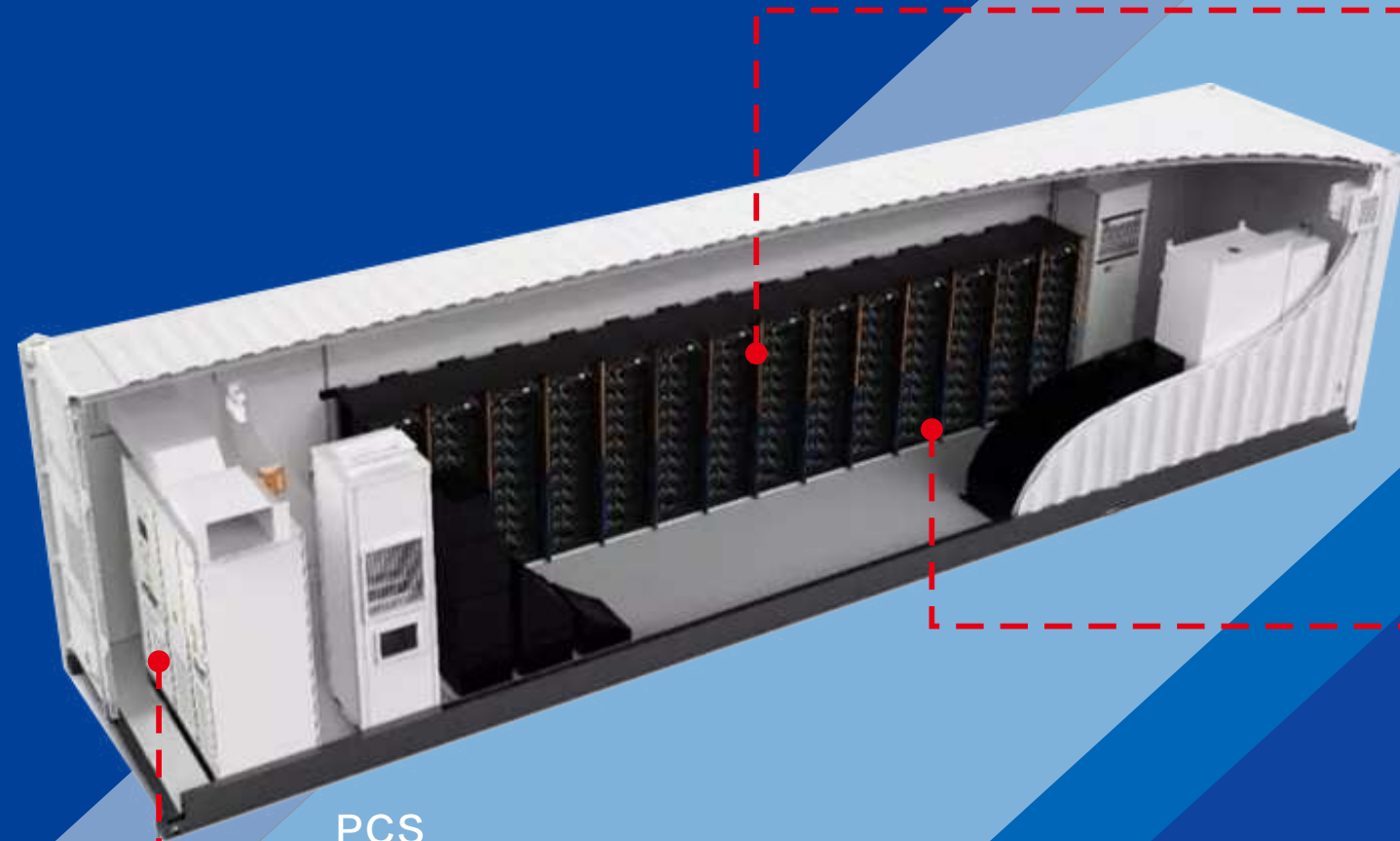
研发中心



# 工商业及大储能

## 示意图

SCHEMATIC DIAGRAM OF INDUSTRY, COMMERCE, AND LARGE ENERGY STORAGE



Cell Pack&BMS



高压箱



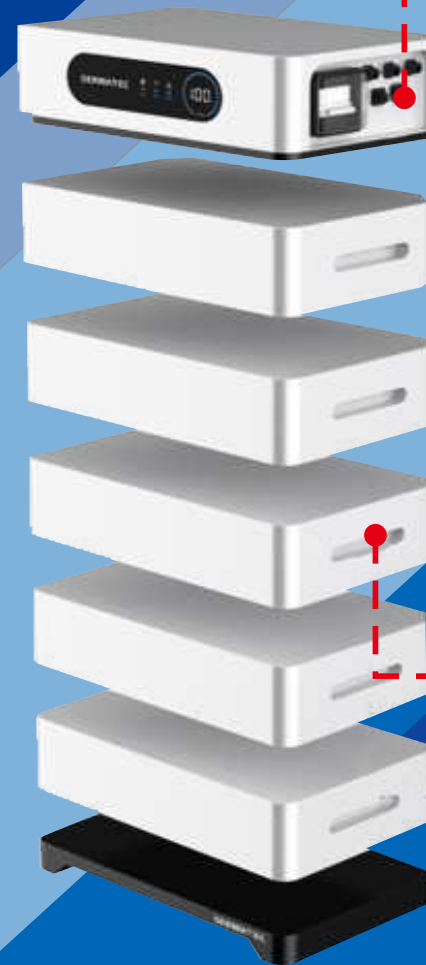
PCS



# 户用储能

## 示意图

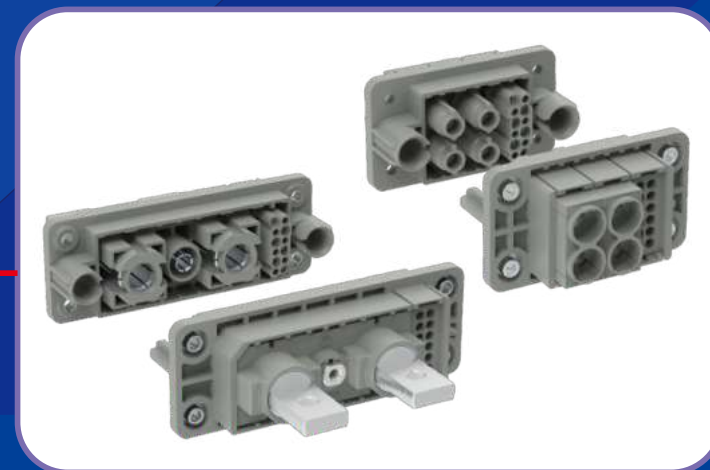
SCHEMATIC DIAGRAM  
OF LARGE ENERGY STORAGE



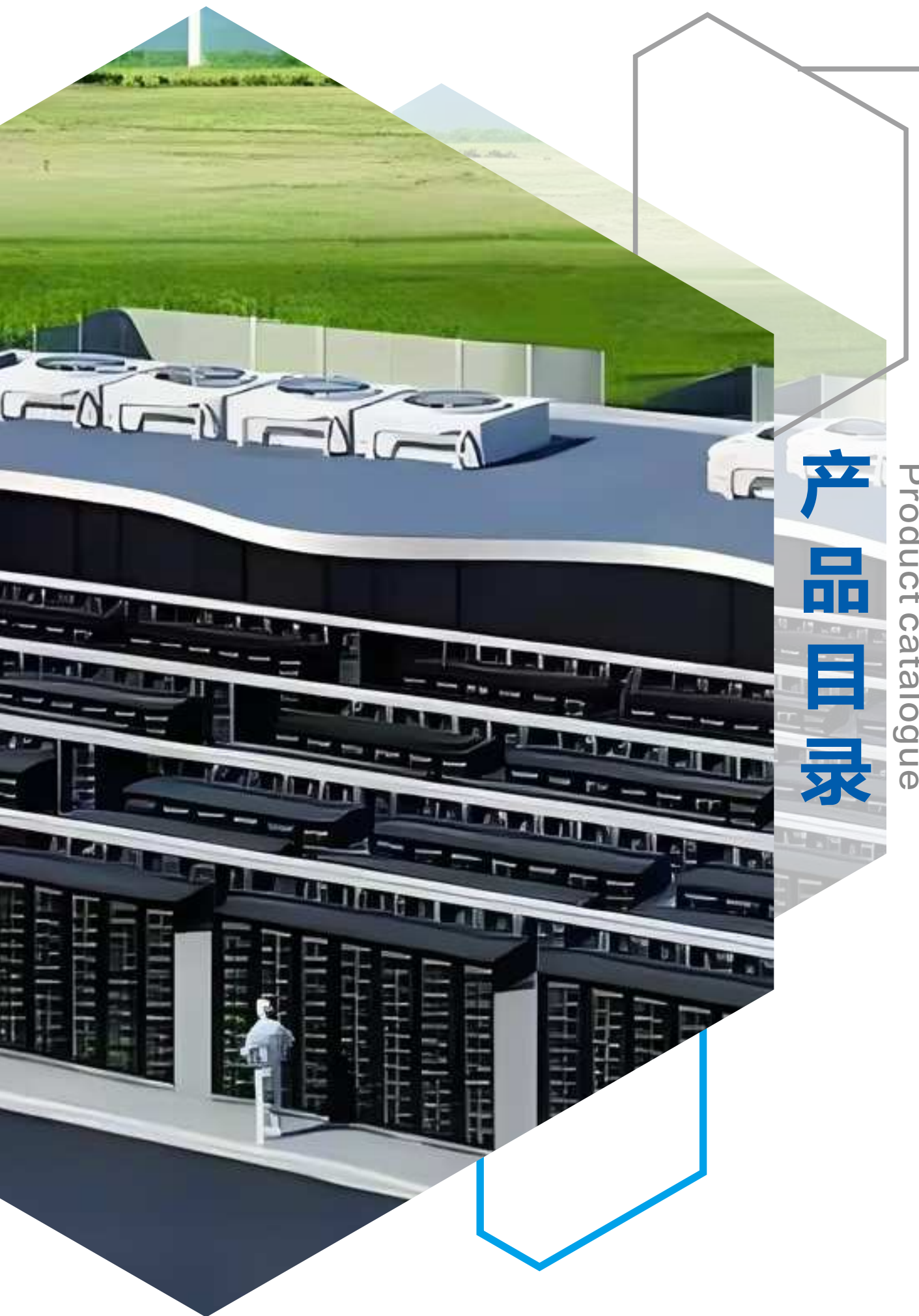
CELL PACK&BMS



CELL PACK&BMS







产品目录

Product catalogue

■单芯高防护系列（1代）

|               |         |
|---------------|---------|
| ESC-HP120电连接器 | .....02 |
| ESC-HP200电连接器 | .....03 |
| ESC-HP300电连接器 | .....04 |
| ESC-HP400电连接器 | .....05 |

■单芯高防护系列（2代）

|                  |         |
|------------------|---------|
| ESC-HPB250电连接器   | .....07 |
| ESC-HPB250-A电连接器 | .....08 |
| ESC-HPB250-1电连接器 | .....09 |
| ESC-HPB300电连接器   | .....10 |
| ESC-HPB350电连接器   | .....11 |
| ESC-HPB400电连接器   | .....12 |

■单芯风冷系列

|               |         |
|---------------|---------|
| ESC-TB250电连接器 | .....14 |
| ESC-TB350电连接器 | .....15 |
| YG196-380电连接器 | .....16 |

■混装户储系列

|                            |         |
|----------------------------|---------|
| ESC-M10B-(2C150+12C10)电连接器 | .....18 |
| ESC-M10B-(4C70+12C10)电连接器  | .....19 |
| ESC-M10B-(4C100+12C10)电连接器 | .....20 |
| ESC-M16B-(3C150+12C10)电连接器 | .....21 |
| YGC1268-(2+1+12)电连接器       | .....22 |
| YGC1268-(2+1+25)电连接器       | .....23 |

■手动维护开关系列

|             |         |
|-------------|---------|
| ESC-MSD电连接器 | .....25 |
| YGC1052电连接器 | .....26 |
| YGC1040电连接器 | .....26 |

■信号系列

|                |         |
|----------------|---------|
| YG583-RJ45电连接器 | .....28 |
| JA1&JE6电连接器    | .....29 |
| YGC909电连接器     | .....30 |
| YGC1024电连接器    | .....31 |

■集成系列

|          |         |
|----------|---------|
| 储能高压线束   | .....33 |
| 混装连接器线束  | .....33 |
| 整机采样线束   | .....34 |
| RJ45采样线束 | .....34 |
| 高压箱      | .....35 |



### 应用范围 Application

- 储能系统(电池pack)的功率传输。  
Apply for power transmission of energy storage system (battery pack).

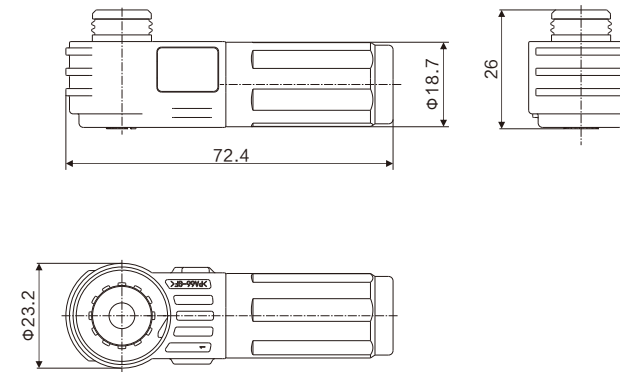
### 产品描述 Description

- 防触电保护Touch-proof
- 颜色/键位防呆Poka-yoke:  
正极橙色Orange for positive、负极黑色Black for negative
- 多角度插合Multi angle insertion
- 锁紧方式Lock mode: 按钮锁紧Button locking
- 端接方式Termination Methods:  
冷压Crimp termination、螺钉锁紧Screw termination

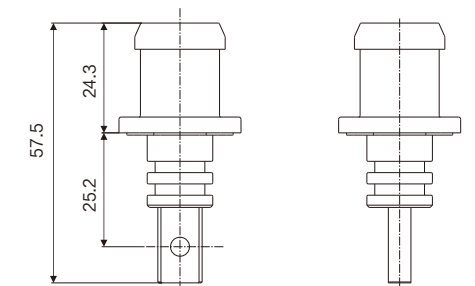
### 性能参数 Specification

- 芯数Pins: 1
- 额定电流Current Rating: 80A(16mm<sup>2</sup>)、120A(25mm<sup>2</sup>)
- 额定电压Voltage Rating: 1500V DC
- 耐电压Dielectric Withstanding Voltage: 6800V AC 50Hz
- 绝缘电阻Insulation Resistance: ≥100MΩ
- 工作温度Operating Temperature: -40℃ ~ +125℃
- 线缆规格 Cable specification: 16mm<sup>2</sup>、25mm<sup>2</sup>
- 温升Temperature rise: ≤45K
- 防护等级Protection Class: IP67(Mated)
- 机械寿命Mechanical Life: ≥100 cycles
- 认证证书Certification: UL4128、CE

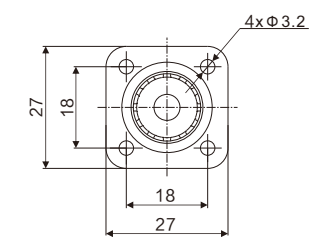
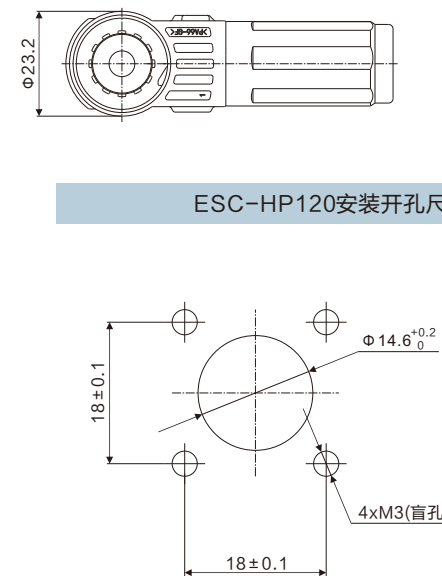
ESC-HP120插头



ESC-HP120插座



ESC-HP120安装开孔尺寸



单芯高防护系列(一代)

SINGLE CORE HIGH PROTECTION SERIES (GENERATION 1)

单芯高防护系列(1代)

单芯高防护系列(2代)

单芯风冷系列

混装户储系列

手动维护开关系列

信号系列

集成系列



# ESC-HP200电连接器

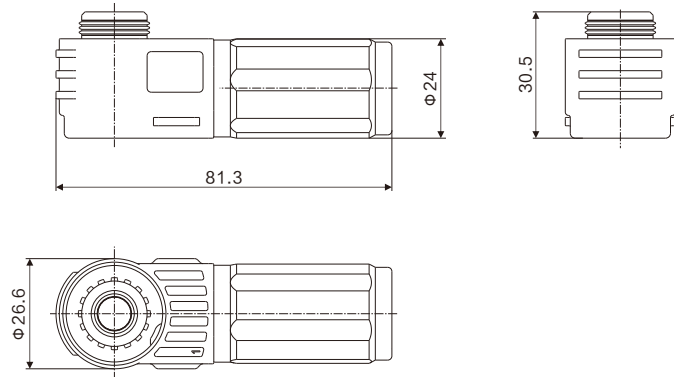
ESC-HP200 CONNECTOR INTRODUCTION



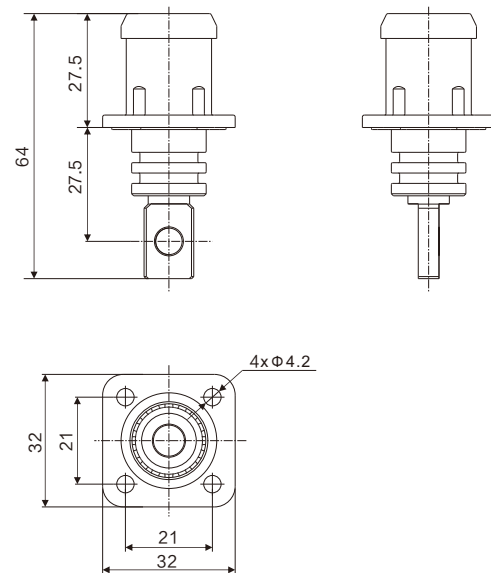
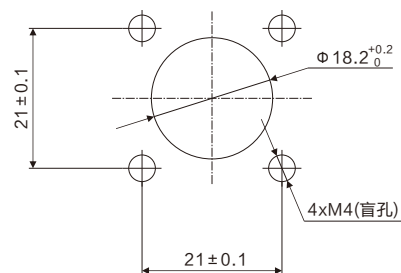
|   |
|---|
| <b>应用范围 Application</b>   |
| ● 储能系统 ( 电池pack ) 的功率传输。<br>Apply for power transmission of energy storage system (battery pack). |
| <b>产品描述 Description</b>   |
| ● 防触电保护Touch-proof  |
| ● 颜色/键位防呆Poka-yoke:<br>正极橙色Orange for positive、负极黑色Black for negative                             |
| ● <b>多角度插合Multi angle insertion</b>   |
| ● 锁紧方式Lock mode: 按钮锁紧Button locking   |
| ● 端接方式Termination Methods:<br>冷压Crimp termination、螺钉锁紧Screw termination                           |
| <b>性能参数 Specification</b>   |
| ● 芯数Pins: 1   |
| ● <b>额定电流Current Rating: 150A(35mm<sup>2</sup>)、200A(50mm<sup>2</sup>)</b>                        |
| ● 额定电压Voltage Rating: 1500V DC  |
| ● 耐电压Dielectric Withstanding Voltage: 6800V AC 50Hz   |
| ● 绝缘电阻Insulation Resistance: ≥100MΩ   |
| ● 工作温度Operating Temperature: -40℃ ~ +125℃   |
| ● 线缆规格 Cable specification: 35mm <sup>2</sup> 、50mm <sup>2</sup>                                  |
| ● 温升Temperature rise: ≤45K  |
| ● 防护等级Protection Class: IP67(Mated)   |
| ● 机械寿命Mechanical Life: ≥100 cycles  |
| ● 认证证书Certification: UL4128、CE  |

ESC-HP200插头

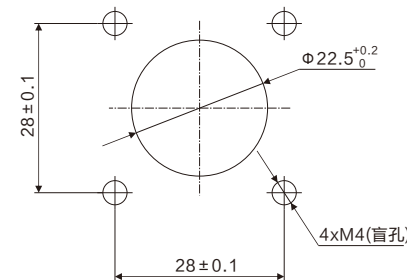
ESC-HP200插座



ESC-HP200安装开孔尺寸

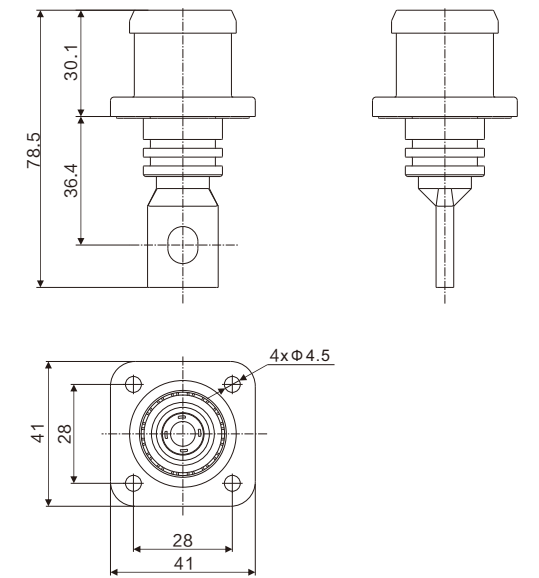
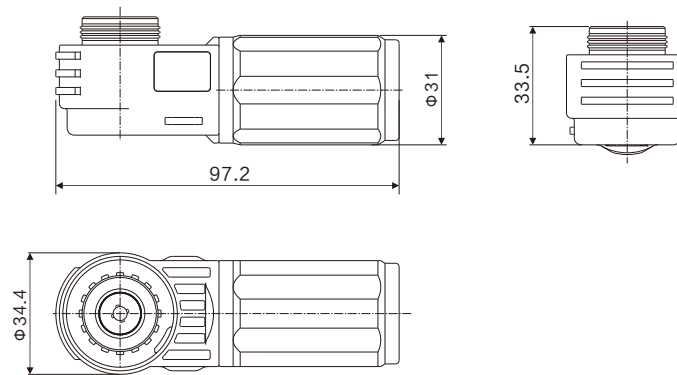


ESC-HP300安装开孔尺寸



ESC-HP300插头

ESC-HP300插座



|   |
|---|
| <b>应用范围 Application</b>   |
| ● 储能系统 ( 电池pack ) 的功率传输。<br>Apply for power transmission of energy storage system (battery pack). |
| <b>产品描述 Description</b>   |
| ● 防触电保护Touch-proof  |
| ● 颜色/键位防呆Poka-yoke:<br>正极橙色Orange for positive、负极黑色Black for negative                             |
| ● <b>多角度插合Multi angle insertion</b>   |
| ● 锁紧方式Lock mode: 按钮锁紧Button locking   |
| ● 端接方式Termination Methods:<br>冷压Crimp termination、螺钉锁紧Screw termination                           |
| <b>性能参数 Specification</b>   |
| ● 芯数Pins: 1   |
| ● <b>额定电流Current Rating: 250A(70mm<sup>2</sup>)、300A(95mm<sup>2</sup>)</b>                        |
| ● 额定电压Voltage Rating: 1500V DC  |
| ● 耐电压Dielectric Withstanding Voltage: 6800V AC 50Hz   |
| ● 绝缘电阻Insulation Resistance: ≥100MΩ   |
| ● 工作温度Operating Temperature: -40℃ ~ +125℃   |
| ● 线缆规格 Cable specification: 70mm <sup>2</sup> 、95mm <sup>2</sup>                                  |
| ● 温升Temperature rise: ≤45K  |
| ● 防护等级Protection Class: IP67(Mated)   |
| ● 机械寿命Mechanical Life: ≥100 cycles  |
| ● 认证证书Certification: UL4128、CE  |

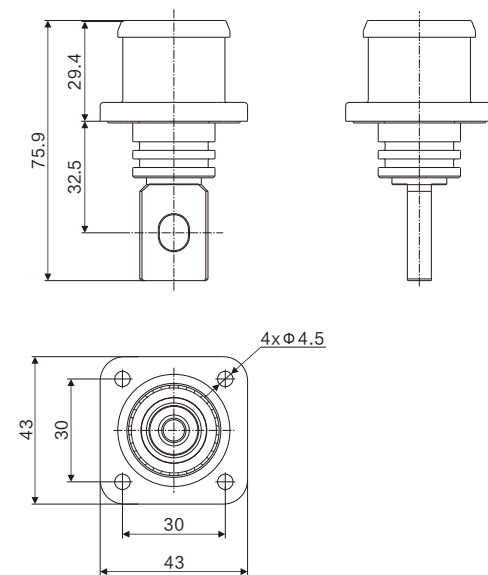
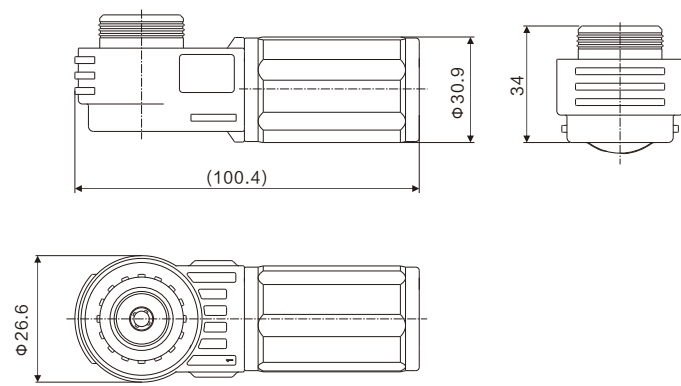


|   |
|---|
| <b>应用范围 Application</b>   |
| ● 储能系统 ( 电池pack ) 的功率传输。<br>Apply for power transmission of energy storage system (battery pack). |
| <b>产品描述 Description</b>   |
| ● 防触电保护Touch-proof  |
| ● 颜色/键位防呆Poka-yoke:<br>正极橙色Orange for positive、负极黑色Black for negative                             |
| ● <b>多角度插合Multi angle insertion</b>   |
| ● 锁紧方式Lock mode: 按钮锁紧Button locking   |
| ● 端接方式Termination Methods:<br>冷压Crimp termination、螺钉锁紧Screw termination                           |
| <b>性能参数 Specification</b>   |
| ● 芯数Pins: 1   |
| ● <b>额定电流Current Rating: 300A(95mm<sup>2</sup>)、400A(120mm<sup>2</sup>)</b>                       |
| ● 额定电压Voltage Rating: 1500V DC  |
| ● 耐压电压Dielectric Withstanding Voltage: 6800V AC 50Hz  |
| ● 绝缘电阻Insulation Resistance: ≥100MΩ   |
| ● 工作温度Operating Temperature: -40℃ ~ +125℃   |
| ● 线缆规格 Cable specification: 95mm <sup>2</sup> 、120mm <sup>2</sup>                                 |
| ● 温升Temperature rise: ≤45K  |
| ● 防护等级Protection Class: IP67(Mated)   |
| ● 机械寿命Mechanical Life: ≥100 cycles  |
| ● 认证证书Certification: UL4128、TUV(PPP)、CE   |

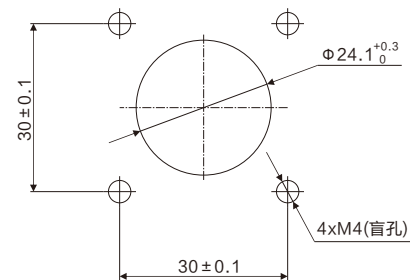


ESC-HP400插头

ESC-HP400插座



ESC-HP400安装开孔尺寸



单芯高防护 (二代) 系列

SINGLE CORE HIGH PROTECTION SERIES (GENERATION 2)

单芯高防护系列 (1代)

单芯高防护系列 (2代)

单芯风冷系列

混装户储系列

手动维护开关系列

信号系列

集成系列



# ESC-HPB250电连接器

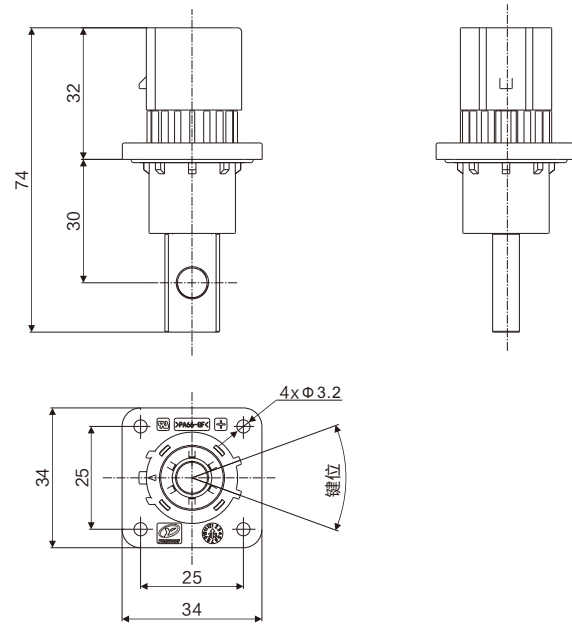
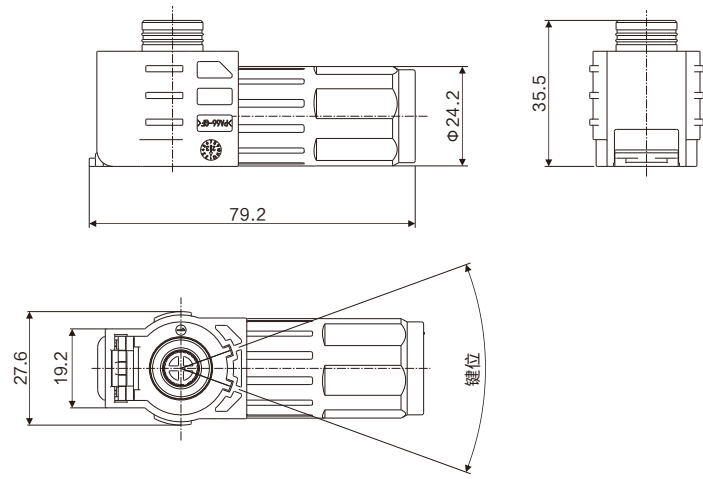
ESC-HPB250 CONNECTOR INTRODUCTION



|   |
|---|
| <b>应用范围 Application</b>   |
| ● 储能系统(电池pack)的功率传输。<br>Apply for power transmission of energy storage system (battery pack).       |
| <b>产品描述 Description</b>   |
| ● 防触电保护Touch-proof  |
| ● 颜色/键位防呆Poka-yoke:<br>正极橙色Orange for positive、负极黑色Black for negative                               |
| ● 插合后可360° 旋转 360° rotation after insertion   |
| ● 锁紧方式Lock mode: 锁扣+二次锁 Lock buckle+secondary lock  |
| ● 端接方式Termination Methods:<br>冷压Crimp termination、螺钉锁紧Screw termination                             |
| <b>性能参数 Specification</b>   |
| ● 芯数Pins: 1   |
| ● 额定电流Current Rating: 150A(35mm <sup>2</sup> )、200A(50mm <sup>2</sup> )<br>250A(70mm <sup>2</sup> ) |
| ● 额定电压Voltage Rating: 1500V DC  |
| ● 耐电压Dielectric Withstanding Voltage: 6800V AC 50Hz   |
| ● 绝缘电阻Insulation Resistance: ≥100MΩ   |
| ● 工作温度Operating Temperature: -40℃ ~ +125℃   |
| ● 线缆规格 Cable specification: 35mm <sup>2</sup> 、50mm <sup>2</sup> 、70mm <sup>2</sup>                 |
| ● 温升Temperature rise: ≤45K  |
| ● 防护等级Protection Class: IP67(Mated)   |
| ● 机械寿命Mechanical Life: ≥100 cycles  |
| ● 认证证书Certification: UL4128、TUV、CE  |

ESC-HPB250插头

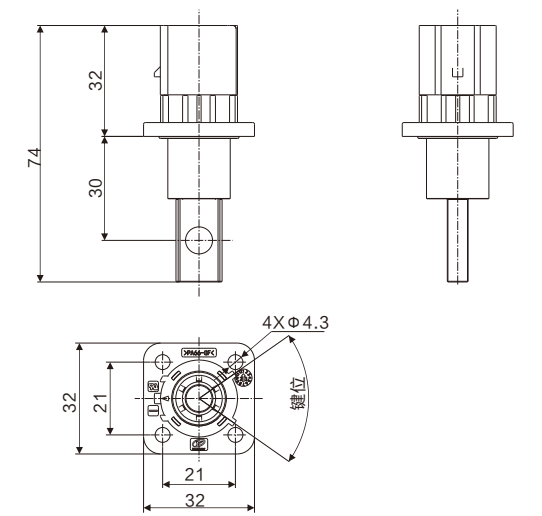
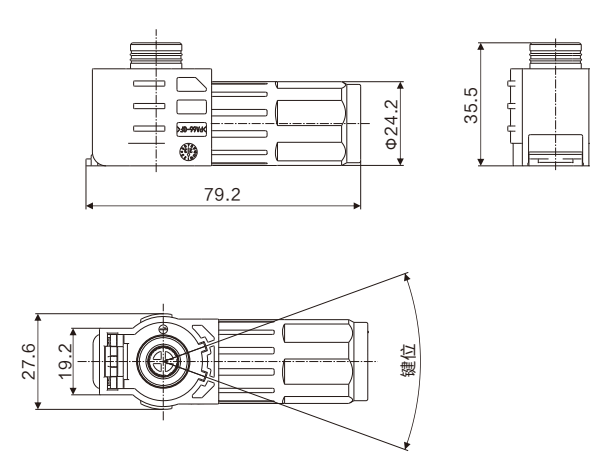
ESC-HPB250插座



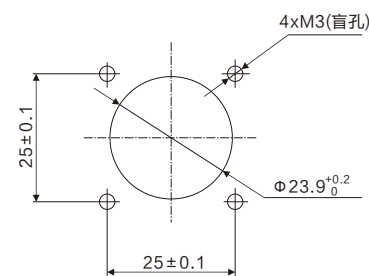
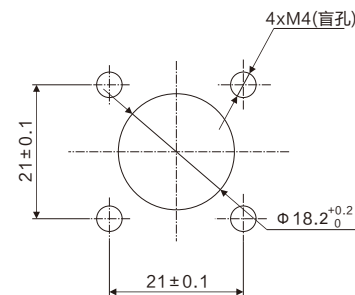
ESC-HPB250插座安装开孔尺寸

ESC-HPB250-A插头

ESC-HPB250-A插座



ESC-HPB250-A安装开孔尺寸



# ESC-HPB250-A电连接器

ESC-HPB250-A CONNECTOR INTRODUCTION



|   |
|---|
| <b>应用范围 Application</b>   |
| ● 储能系统(电池pack)的功率传输。<br>Apply for power transmission of energy storage system (battery pack).       |
| <b>产品描述 Description</b>   |
| ● 防触电保护Touch-proof  |
| ● 颜色/键位防呆Poka-yoke:<br>正极橙色Orange for positive、负极黑色Black for negative                               |
| ● 插合后可360° 旋转 360° rotation after insertion   |
| ● 锁紧方式Lock mode: 锁扣+二次锁 Lock buckle+secondary lock  |
| ● 端接方式Termination Methods:<br>冷压Crimp termination、螺钉锁紧Screw termination                             |
| <b>性能参数 Specification</b>   |
| ● 芯数Pins: 1   |
| ● 额定电流Current Rating: 150A(35mm <sup>2</sup> )、200A(50mm <sup>2</sup> )<br>250A(70mm <sup>2</sup> ) |
| ● 额定电压Voltage Rating: 1500V DC  |
| ● 耐电压Dielectric Withstanding Voltage: 6800V AC 50Hz   |
| ● 绝缘电阻Insulation Resistance: ≥100MΩ   |
| ● 工作温度Operating Temperature: -40℃ ~ +125℃   |
| ● 线缆规格 Cable specification: 35mm <sup>2</sup> 、50mm <sup>2</sup> 、70mm <sup>2</sup>                 |
| ● 温升Temperature rise: ≤45K  |
| ● 防护等级Protection Class: IP67(Mated)   |
| ● 机械寿命Mechanical Life: ≥100 cycles  |
| ● 认证证书Certification: UL4128、TUV、CE  |



# ESC-HPB250-1电连接器

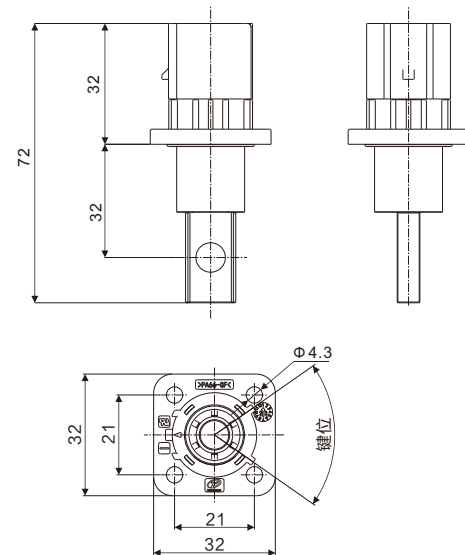
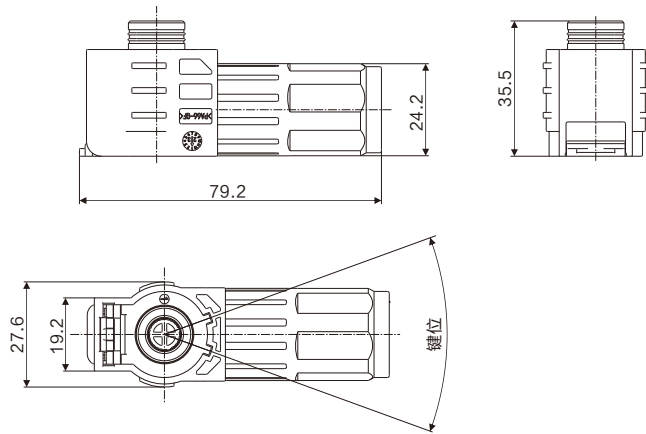
ESC-HPB250-1 CONNECTOR INTRODUCTION



|  |
|--|
| <b>应用范围 Application</b>  |
| ● 储能系统(电池pack)的功率传输。<br>Apply for power transmission of energy storage system (battery pack).        |
| <b>产品描述 Description</b>  |
| ● 防触电保护Touch-proof   |
| ● 颜色/键位防呆Poka-yoke:<br>正极橙色Orange for positive、负极黑色Black for negative                                |
| ● 插入后可360° 旋转 360° rotation after insertion  |
| ● 锁紧方式Lock mode: 锁扣+二次锁 Lock buckle+secondary lock   |
| ● 端接方式Termination Methods:<br>冷压Crimp termination、螺钉锁紧Screw termination                              |
| <b>性能参数 Specification</b>  |
| ● 芯数Pins: 1  |
| ● 额定电流Current Rating: 150A(35mm <sup>2</sup> )、200A(50mm <sup>2</sup> )<br>250A (70mm <sup>2</sup> ) |
| ● 额定电压Voltage Rating: 1500V DC   |
| ● 耐压Dielectric Withstanding Voltage: 6800V AC 50Hz   |
| ● 绝缘电阻Insulation Resistance: ≥5000MΩ   |
| ● 工作温度Operating Temperature: -40℃ ~ +125℃  |
| ● 线缆规格 Cable specification: 35mm <sup>2</sup> 、50mm <sup>2</sup> 、70mm <sup>2</sup>                  |
| ● 温升Temperature rise: ≤45K   |
| ● 防护等级Protection Class: IP67(Mated)  |
| ● 机械寿命Mechanical Life: ≥100 cycles   |
| ● 认证证书Certification: UL4128、TUV、CE   |

ESC-HPB250-1插头

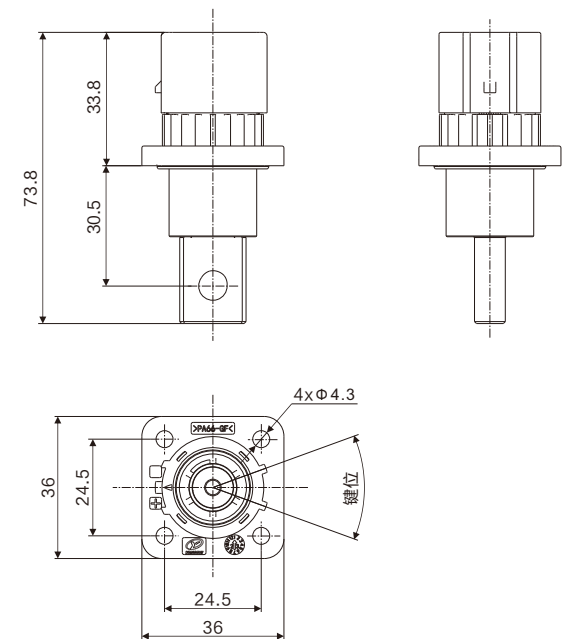
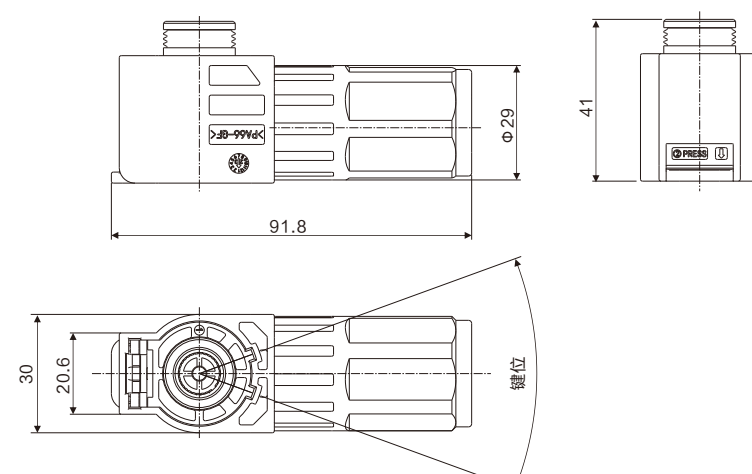
ESC-HPB250-1插座



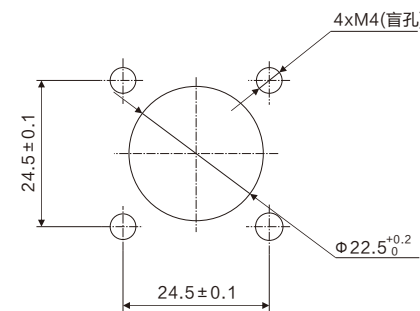
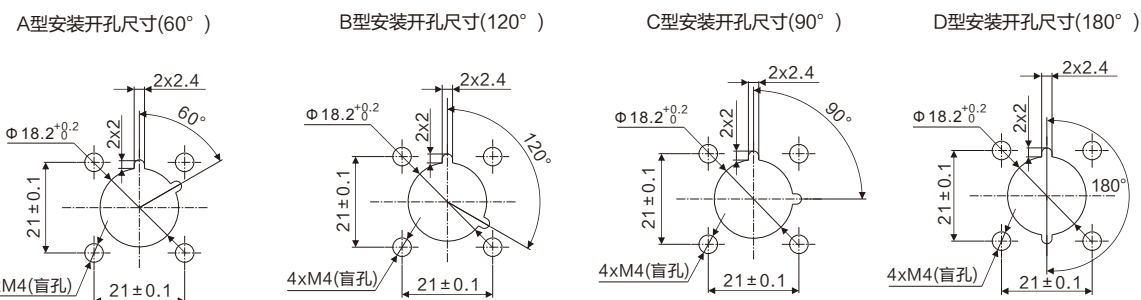
ESC-HPB250-1安装开孔尺寸

ESC-HPB300插头

ESC-HPB300插座



ESC-HPB300安装开孔尺寸



|   |
|---|
| <b>应用范围 Application</b>   |
| ● 储能系统(电池pack)的功率传输。<br>Apply for power transmission of energy storage system (battery pack). |
| <b>产品描述 Description</b>   |
| ● 防触电保护Touch-proof  |
| ● 颜色/键位防呆Poka-yoke:<br>正极橙色Orange for positive、负极黑色Black for negative                         |
| ● 插入后可360° 旋转 360° rotation after insertion   |
| ● 锁紧方式Lock mode: 锁扣+二次锁 Lock buckle+secondary lock  |
| ● 端接方式Termination Methods:<br>冷压Crimp termination、螺钉锁紧Screw termination                       |
| <b>性能参数 Specification</b>   |
| ● 芯数Pins: 1   |
| ● 额定电流Current Rating: 250A(70mm <sup>2</sup> )、300A(95mm <sup>2</sup> )                       |
| ● 额定电压Voltage Rating: 1500V DC  |
| ● 耐压Dielectric Withstanding Voltage: 6800V AC 50Hz  |
| ● 绝缘电阻Insulation Resistance: ≥100MΩ   |
| ● 工作温度Operating Temperature: -40℃ ~ +125℃   |
| ● 线缆规格 Cable specification: 70mm <sup>2</sup> 、95mm <sup>2</sup>                              |
| ● 温升Temperature rise: ≤45K  |
| ● 防护等级Protection Class: IP67(Mated)   |
| ● 机械寿命Mechanical Life: ≥100 cycles  |
| ● 认证证书Certification: UL4128、TUV、CE  |





# ESC-HPB350电连接器

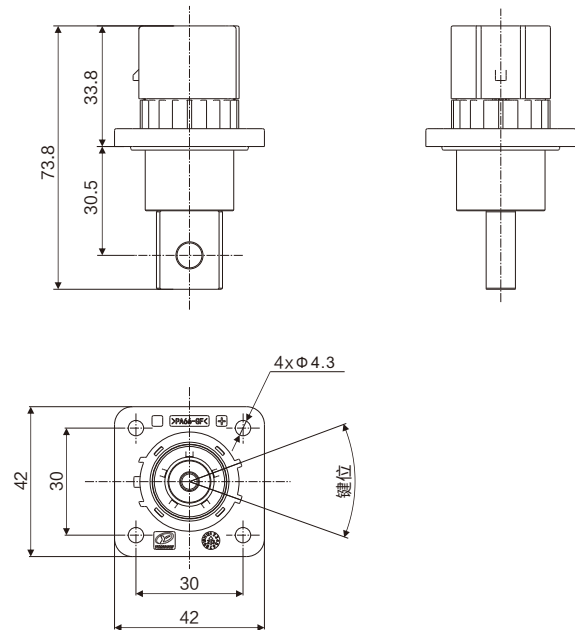
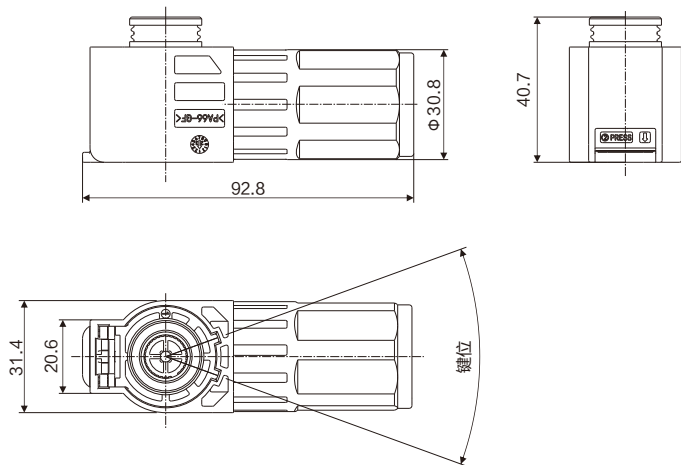
ESC-HPB350 CONNECTOR INTRODUCTION



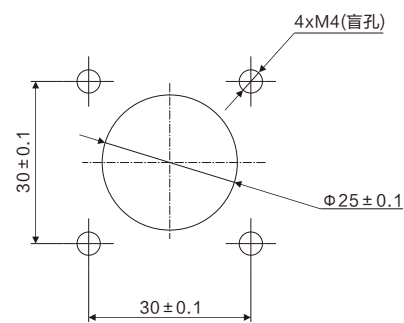
|   |
|---|
| <b>应用范围 Application</b>   |
| ● 储能系统(电池pack)的功率传输。<br>Apply for power transmission of energy storage system (battery pack). |
| <b>产品描述 Description</b>   |
| ● 防触电保护Touch-proof  |
| ● 颜色/键位防呆Poka-yoke:<br>正极橙色Orange for positive、负极黑色Black for negative                         |
| ● 插合后可360° 旋转 360° rotation after insertion   |
| ● 锁紧方式Lock mode: 锁扣+二次锁 Lock buckle+secondary lock  |
| ● 端接方式Termination Methods:<br>冷压Crimp termination、螺钉锁紧Screw termination                       |
| <b>性能参数 Specification</b>   |
| ● 芯数Pins: 1   |
| ● 额定电流Current Rating: 300A(95mm <sup>2</sup> )、350A(120mm <sup>2</sup> )                      |
| ● 额定电压Voltage Rating: 1500V DC  |
| ● 耐压Dielectric Withstanding Voltage: 6800V AC 50Hz  |
| ● 绝缘电阻Insulation Resistance: ≥100MΩ   |
| ● 工作温度Operating Temperature: -40℃ ~ +125℃   |
| ● 线缆规格 Cable specification: 95mm <sup>2</sup> 、120mm <sup>2</sup>                             |
| ● 温升Temperature rise: ≤45K  |
| ● 防护等级Protection Class: IP67(Mated)   |
| ● 机械寿命Mechanical Life: ≥100 cycles  |
| ● 认证证书Certification: UL4128、TUV、CE  |

ESC-HPB350插头

ESC-HPB350插座

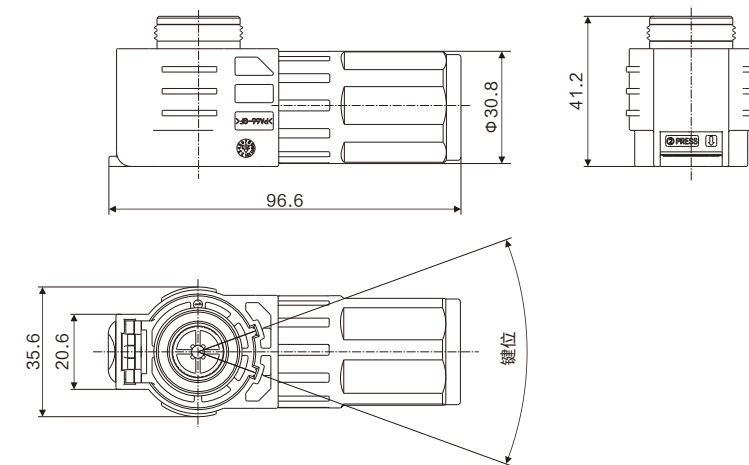


ESC-HPB350安装开孔尺寸

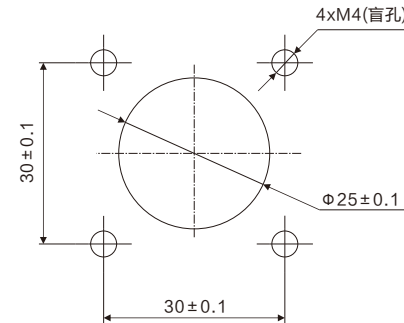


ESC-HPB400插头

ESC-HPB400插座



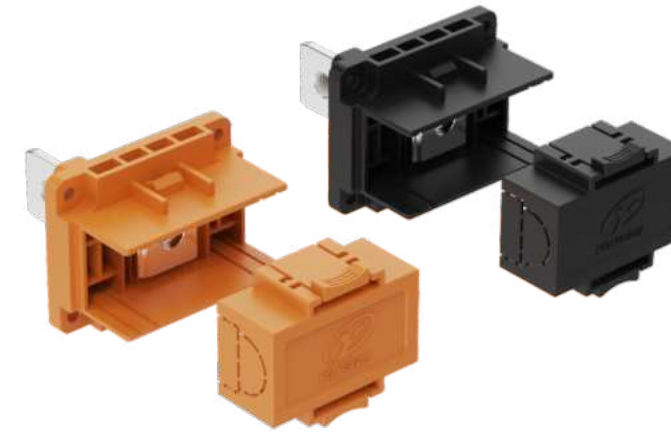
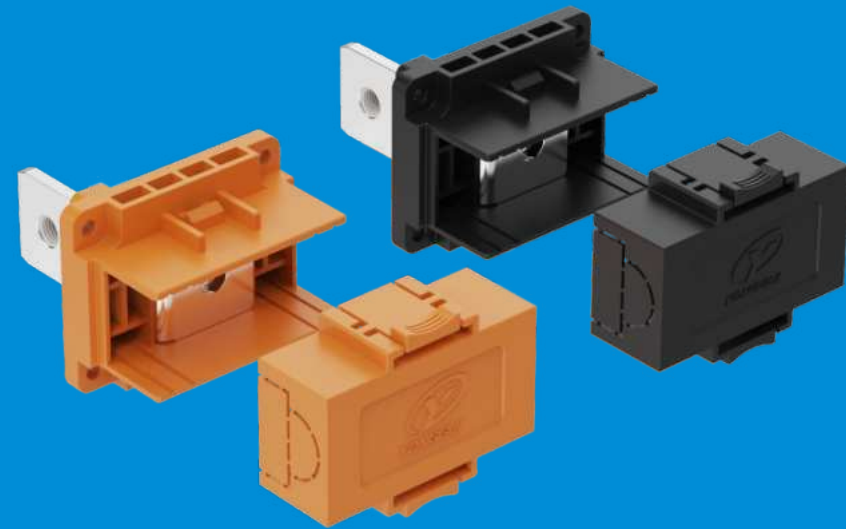
ESC-HPB400安装开孔尺寸



|   |
|---|
| <b>应用范围 Application</b>   |
| ● 储能系统(电池pack)的功率传输。<br>Apply for power transmission of energy storage system (battery pack). |
| <b>产品描述 Description</b>   |
| ● 防触电保护Touch-proof  |
| ● 颜色/键位防呆Poka-yoke:<br>正极橙色Orange for positive、负极黑色Black for negative                         |
| ● 插合后可360° 旋转 360° rotation after insertion   |
| ● 锁紧方式Lock mode: 锁扣+二次锁 Lock buckle+secondary lock  |
| ● 端接方式Termination Methods:<br>冷压Crimp termination、螺钉锁紧Screw termination                       |
| <b>性能参数 Specification</b>   |
| ● 芯数Pins: 1   |
| ● 额定电流Current Rating: 300A(95mm <sup>2</sup> )、400A(120mm <sup>2</sup> )                      |
| ● 额定电压Voltage Rating: 1500V DC  |
| ● 耐压Dielectric Withstanding Voltage: 6800V AC 50Hz  |
| ● 绝缘电阻Insulation Resistance: ≥100MΩ   |
| ● 工作温度Operating Temperature: -40℃ ~ +125℃   |
| ● 线缆规格 Cable specification: 95mm <sup>2</sup> 、120mm <sup>2</sup>                             |
| ● 温升Temperature rise: ≤45K  |
| ● 防护等级Protection Class: IP67(Mated)   |
| ● 机械寿命Mechanical Life: ≥100 cycles  |
| ● 认证证书Certification: UL4128、TUV、CE  |







单芯风冷系列

SINGLE CORE AIR-COOLED SERIES

### 应用范围 Application

- 储能系统（电池pack）的功率传输。

Apply for power transmission of energy storage system (battery pack).

### 产品描述 Description

- 颜色防呆Poka-yoke:

正极橙色Orange for positive、负极黑色Black for negative

- 安装方式 Installation Method: 螺钉Screw

- 端接方式 Termination Methods: 螺钉锁紧Screw termination

- 出线方向 Direction of outgoing line:

两边均可出线 Both sides can be wired out

### 性能参数 Specification

- 芯数 Pins: 1

- 额定电流 Current Rating: 200A(50mm<sup>2</sup>)、250A(70mm<sup>2</sup>)

- 额定电压 Voltage Rating: 1500V DC

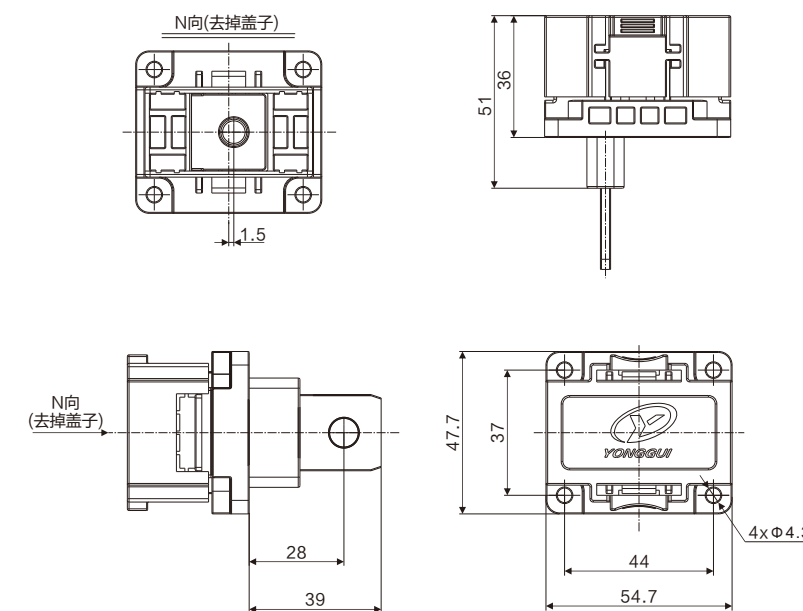
- 耐电压 Dielectric Withstanding Voltage: 6800V AC 50Hz

- 绝缘电阻 Insulation Resistance: ≥ 100MΩ

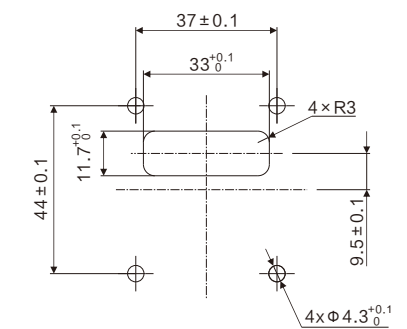
- 工作温度 Operating Temperature: -40℃ ~ +125℃

- 温升 Temperature rise: ≤ 45K

ESC-TB250连接器



ESC-TB250安装开孔尺寸



单芯高防护系列(N代)

单芯高防护系列(N代)

单芯风冷系列

混装户储系列

手动维护开关系列

信号系列

集成系列



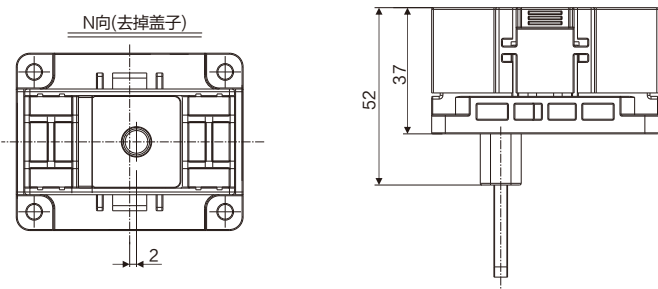
# ESC-TB350电连接器

ESC-TB350 CONNECTOR INTRODUCTION

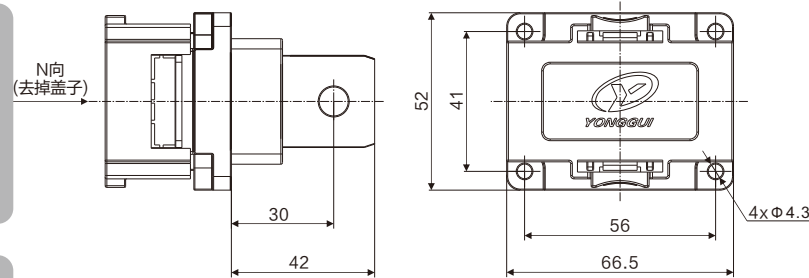
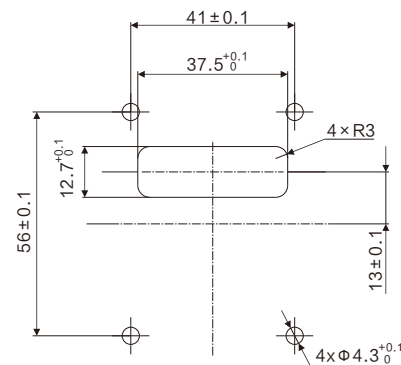
|   |
|---|
| <b>应用范围 Application</b>   |
| ● 储能系统 ( 电池pack ) 的功率传输。<br>Apply for power transmission of energy storage system (battery pack). |
| <b>产品描述 Description</b>   |
| ● 颜色防呆Poka-yoke:<br>正极橙色Orange for positive、负极黑色Black for negative                                |
| ● 安装方式Installation Method: 螺钉Screw  |
| ● 端接方式Termination Methods: 螺钉锁紧Screw termination  |
| ● 出线方向Direction of outgoing line:<br>两边均可出线 Both sides can be wired out                           |
| <b>性能参数 Specification</b>   |
| ● 芯数Pins: 1   |
| ● 额定电流Current Rating: 300A(95mm <sup>2</sup> )、350A(120mm <sup>2</sup> )                          |
| ● 额定电压Voltage Rating: 1500V DC  |
| ● 耐电压Dielectric Withstanding Voltage: 6800V AC 50Hz   |
| ● 绝缘电阻Insulation Resistance: ≥100MΩ   |
| ● 工作温度Operating Temperature: -40℃ ~ +125℃   |
| ● 低温升 Low Temperature rise: ≤45K  |



ESC-TB350连接器



ESC-TB350安装开孔尺寸



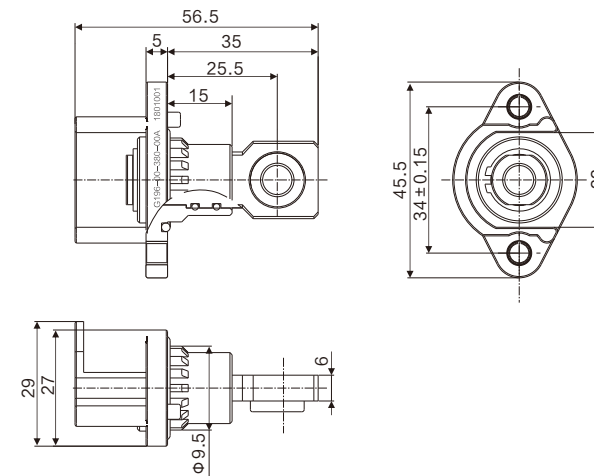
# YG196-380电连接器

YG196-380 CONNECTOR INTRODUCTION

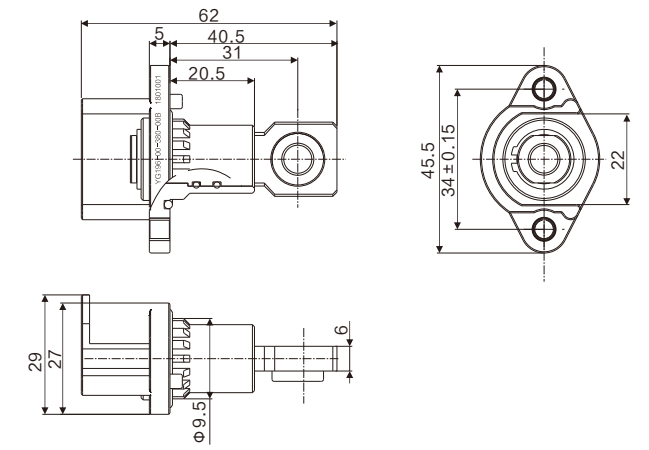
|   |
|---|
| <b>应用范围 Application</b>   |
| ● 电动汽车配电系统、电机、电控<br>Distribution Systems、E-Motor、Motor Controller |
| <b>产品描述 Description</b>   |
| ● 线径范围Cable range: 70mm <sup>2</sup>                              |
| ● 塑料外壳Plastic Shell   |
| <b>性能参数 Specification</b>   |
| ● 额定电流Rated Current: 250A(70mm <sup>2</sup> )                     |
| ● 额定电压Rated Voltage: 800V   |
| ● 耐电压Dielectric Withstanding Voltage: 3800V AC                    |
| ● 绝缘电阻Insulation resistance: ≥100MΩ                               |
| ● 工作温度Temperature Range: -40℃ ~ +125℃                             |
| ● 机械寿命Mechanical life: 50次  |



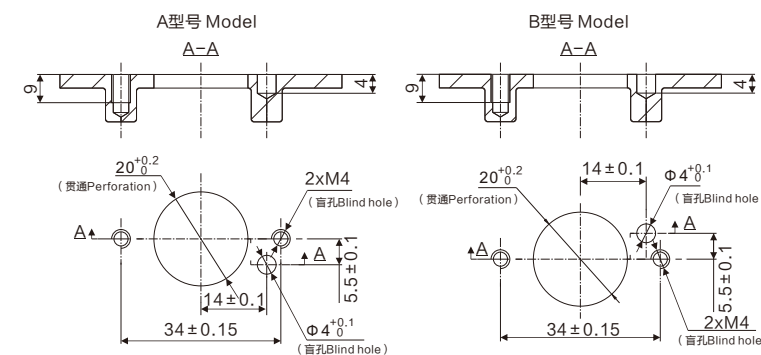
YG196-380A型连接器



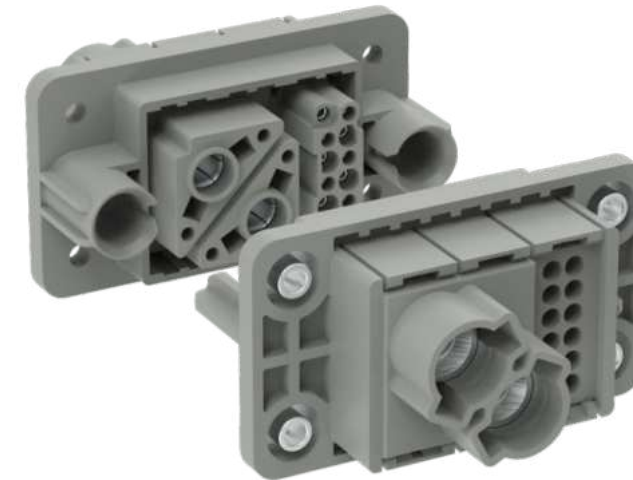
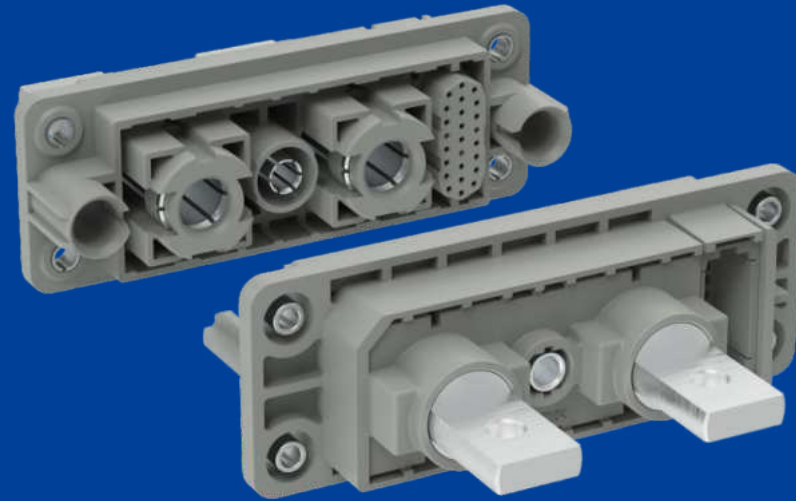
YG196-380B型连接器



YG196-380安装开孔尺寸







### 应用范围 Application

- 该产品用于户用储能系统（电池pack）的功率及信号传输。  
This product is used for power and signal transmission of household energy storage system (battery pack).

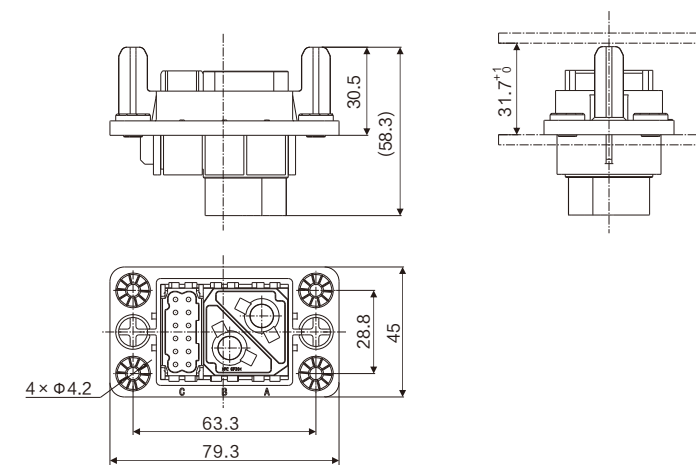
### 产品描述 Description

- 支持多功能模块混装 Multi-functional modules are supported
- 模块位数 Number of modules: 3
- 浮动配合 Floating cooperate
- 端接方式 Termination Methods: 冷压 Crimp termination

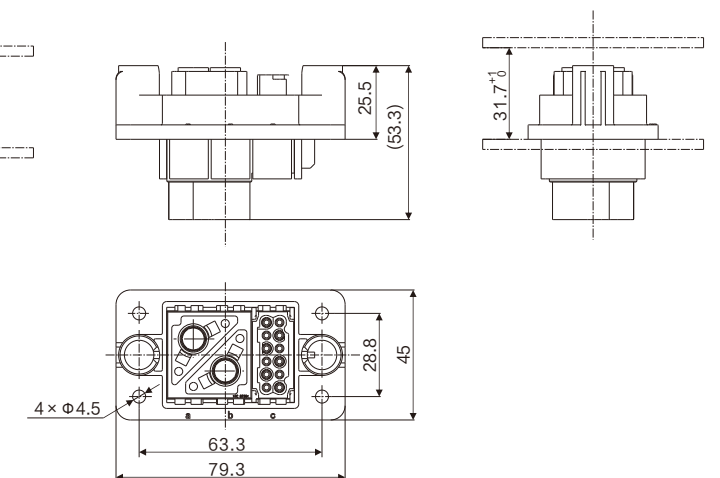
### 性能参数 Specification

- 芯数 Pins: 2+12
- 额定电流 Current Rating: 100A、150A(Power)、10A(Signal)
- 额定电压 Voltage Rating: 1500V(Power)、250V(Signal)
- 耐电压 Dielectric Withstanding Voltage: 6800V、2210V AC 50Hz
- 绝缘电阻 Insulation Resistance:  $\geq 100M\Omega$
- 工作温度 Temperature Range:  $-40^{\circ}C \sim +125^{\circ}C$
- 线径范围 Cable range:  $6mm^2 \sim 35mm^2$ (Power)  
 $0.14mm^2 \sim 2.5mm^2$ (Signal)
- 温升 Temperature rise:  $\leq 45K$
- 浮动公差 Floating tolerance:  $\pm 2mm$
- 机械寿命 Mechanical Life:  $\geq 500$  cycles
- 认证证书 Certification: UL、CE

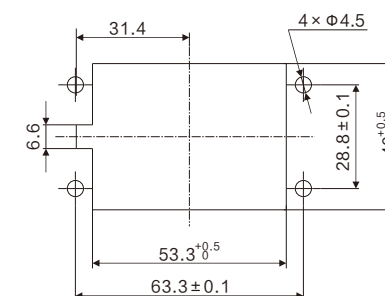
ESC-M10B-(2C150+12C10) 插头(插针)



ESC-M10B-(2C150+12C10) 插座(插孔)



ESC-M10B-(2C150+12C10) 安装开孔尺寸



混装户储系列

MIXED HOUSEHOLD STORAGE SERIES

单芯高防护系列(N代)

单芯高防护系列(N代)

单芯风冷系列

混装户储系列

手动维护开关系列

信号系列

集成系列



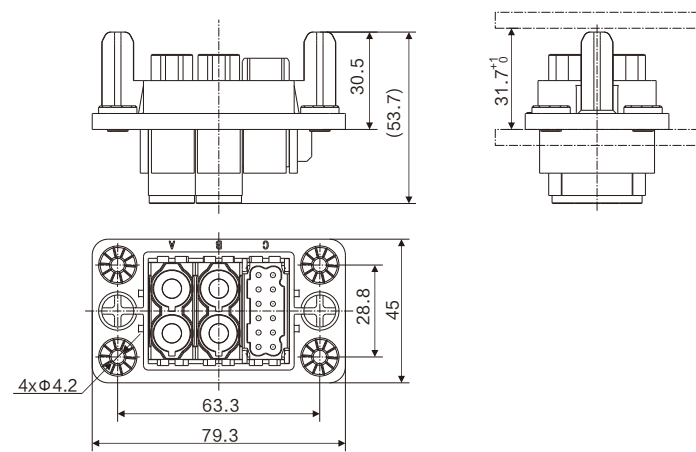
# ESC-M10B-(4C70+12C10)电连接器

ESC-M10B-(4C70+12C10) CONNECTOR INTRODUCTION

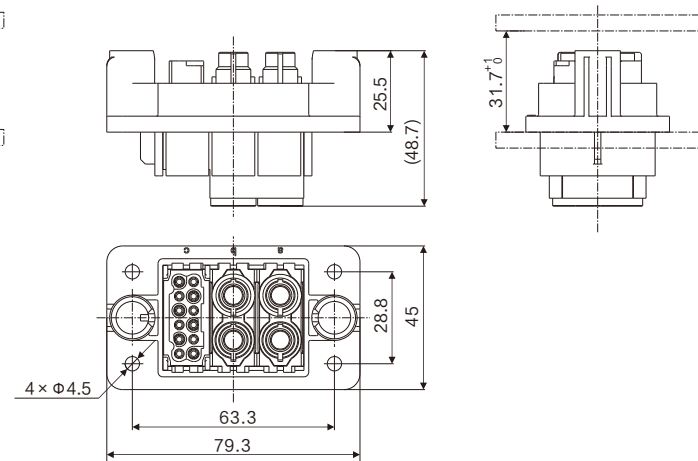
|   |
|---|
| <b>应用范围 Application</b>   |
| ● 该产品用于户用储能系统（电池pack）的功率及信号传输。<br>This product is used for power and signal transmission of household energy storage system (battery pack). |
| <b>产品描述 Description</b>   |
| ● 支持多功能模块混装 Multi-functional modules are supported  |
| ● 模块位数 Number of modules: 3   |
| ● 浮动配合 Floating cooperate   |
| ● 端接方式 Termination Methods: 冷压 Crimp termination  |
| <b>性能参数 Specification</b>   |
| ● 芯数 Pins: 4+12   |
| ● 额定电流 Current Rating: 70A(Power)、10A(Signal)   |
| ● 额定电压 Voltage Rating: 1500V(Power)、250V(Signal)  |
| ● 耐电压 Dielectric Withstanding Voltage: 6800V、2210V AC 50Hz  |
| ● 绝缘电阻 Insulation Resistance: $\geq 100M\Omega$   |
| ● 工作温度 Temperature Range: $-40^{\circ}\text{C} \sim +125^{\circ}\text{C}$   |
| ● 线径范围 Cable range: $6\text{mm}^2 \sim 25\text{mm}^2$ (Power)<br>$0.14\text{mm}^2 \sim 2.5\text{mm}^2$ (Signal)                             |
| ● 温升 Temperature rise: $\leq 45\text{K}$  |
| ● 浮动公差 Floating tolerance: $\pm 2\text{mm}$   |
| ● 机械寿命 Mechanical Life: $\geq 500$ cycles   |
| ● 认证证书 Certification: UL、CE   |



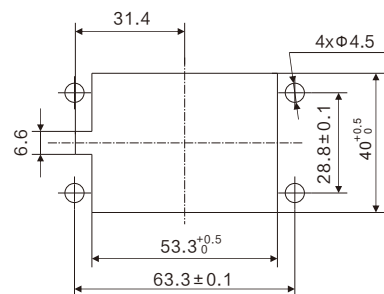
ESC-M10B-(4C70+12C10) 插头（插针）端



ESC-M10B-(4C70+12C10) 插座（插孔）端



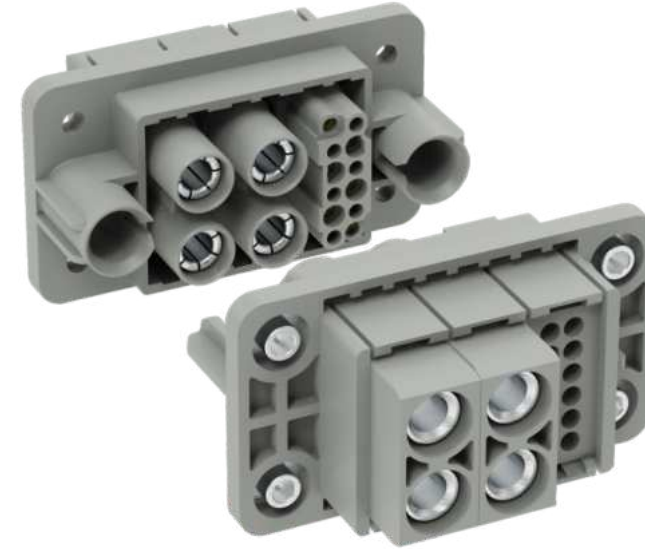
ESC-M10B-(4C70+12C10) 安装开孔尺寸



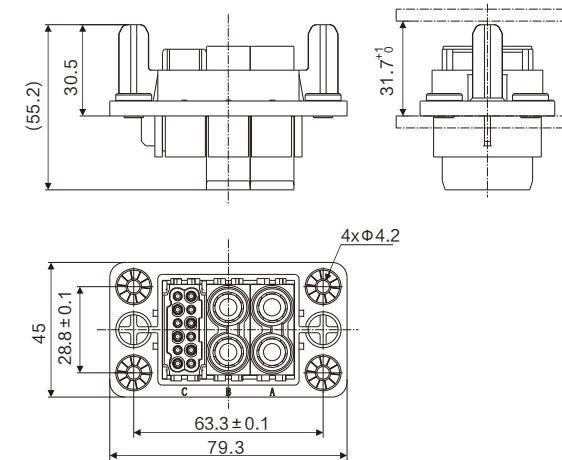
# ESC-M10B-(4C100+12C10)电连接器

ESC-M16B-(4C100+12C10) CONNECTOR INTRODUCTION

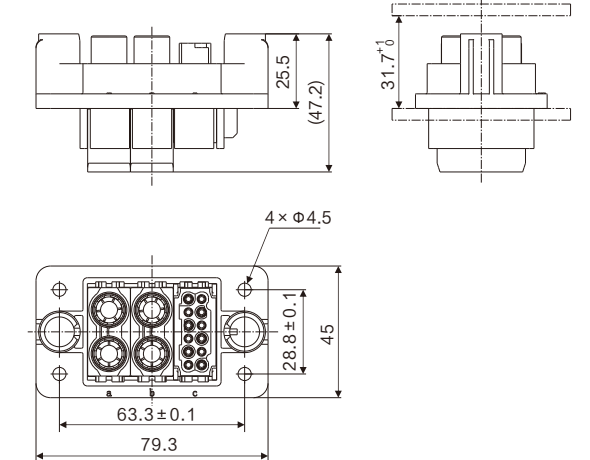
|   |
|---|
| <b>应用范围 Application</b>   |
| ● 该产品用于户用储能系统（电池pack）的功率及信号传输。<br>This product is used for power and signal transmission of household energy storage system (battery pack). |
| <b>产品描述 Description</b>   |
| ● 支持多功能模块混装 Multi-functional modules are supported  |
| ● 模块位数 Number of modules: 3   |
| ● 浮动配合 Floating cooperate   |
| ● 端接方式 Termination Methods: 冷压 Crimp termination  |
| <b>性能参数 Specification</b>   |
| ● 芯数 Pins: 4+12   |
| ● 额定电流 Current Rating: 100A(Power)、10A(Signal)  |
| ● 额定电压 Voltage Rating: 1000V(Power)、250V(Signal)  |
| ● 耐电压 Dielectric Withstanding Voltage: 4260V、2210V AC 50Hz  |
| ● 绝缘电阻 Insulation Resistance: $\geq 100M\Omega$   |
| ● 工作温度 Temperature Range: $-40^{\circ}\text{C} \sim +125^{\circ}\text{C}$   |
| ● 线径范围 Cable range: $6\text{mm}^2 \sim 25\text{mm}^2$ (Power)<br>$0.34\text{mm}^2 \sim 2.5\text{mm}^2$ (Signal)                             |
| ● 温升 Temperature rise: $\leq 45\text{K}$  |
| ● 浮动公差 Floating tolerance: $\pm 2\text{mm}$   |
| ● 机械寿命 Mechanical Life: $\geq 500$ cycles   |



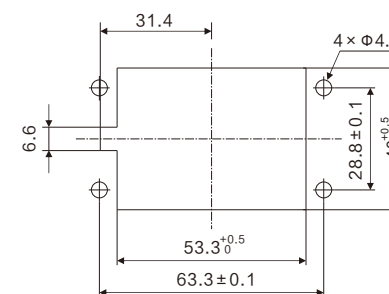
ESC-M10B-(4C100+12C10) 插头（插针）端



ESC-M10B-(4C100+12C10) 插座（插孔）端



ESC-M10B-(4C100+12C10) 安装开孔尺寸

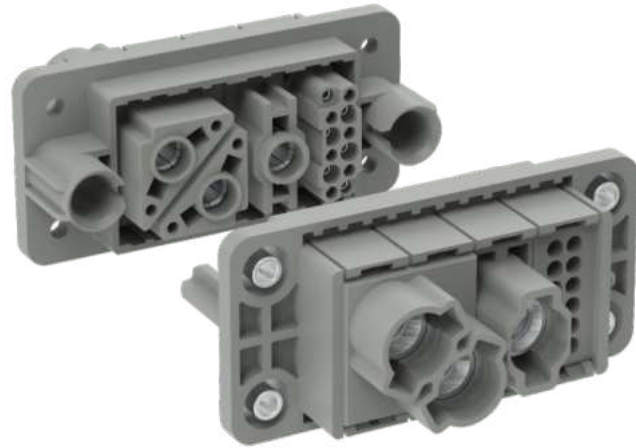




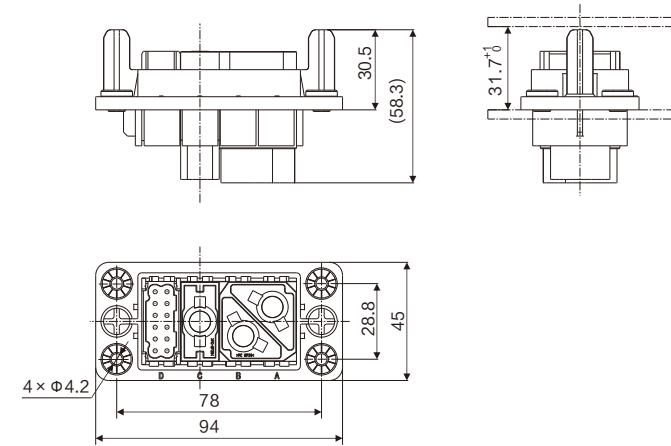
## ESC-M16B-(3C150+12C10)电连接器

ESC-M16B-(3C150+12C10) CONNECTOR INTRODUCTION

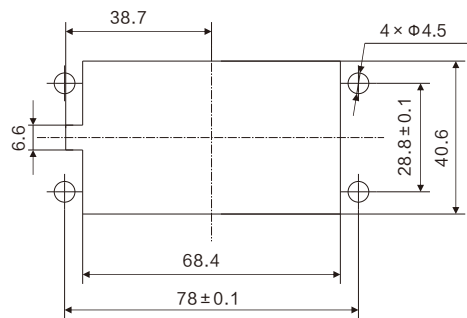
| 应用范围 Application  |
|---|
| ● 该产品用于户用储能系统（电池pack）的功率及信号传输。<br>This product is used for power and signal transmission of household energy storage system (battery pack). |
| 产品描述 Description  |
| ● 支持多功能模块混装 Multi-functional modules are supported  |
| ● 模块位数 Number of modules: 4   |
| ● 浮动配合 Floating cooperate   |
| ● 端接方式 Termination Methods: 冷压 Crimp termination  |
| 性能参数 Specification  |
| ● 芯数 Pins: 3+12   |
| ● 额定电流 Current Rating: 100A、150A(Power)、10A(Signal)   |
| ● 额定电压 Voltage Rating: 1500V(Power)、250V(Signal)  |
| ● 耐压 Dielectric Withstanding Voltage: 6800V、2210V AC 50Hz   |
| ● 绝缘电阻 Insulation Resistance: $\geq 100M\Omega$   |
| ● 工作温度 Temperature Range: $-40^{\circ}\text{C} \sim +125^{\circ}\text{C}$   |
| ● 线径范围 Cable range: $6\text{mm}^2 \sim 35\text{mm}^2$ (Power)<br>$0.14\text{mm}^2 \sim 2.5\text{mm}^2$ (Signal)                             |
| ● 温升 Temperature rise: $\leq 45\text{K}$  |
| ● 浮动公差 Floating tolerance: $\pm 2\text{mm}$   |
| ● 机械寿命 Mechanical Life: $\geq 500$ cycles   |
| ● 认证证书 Certification: UL、CE   |



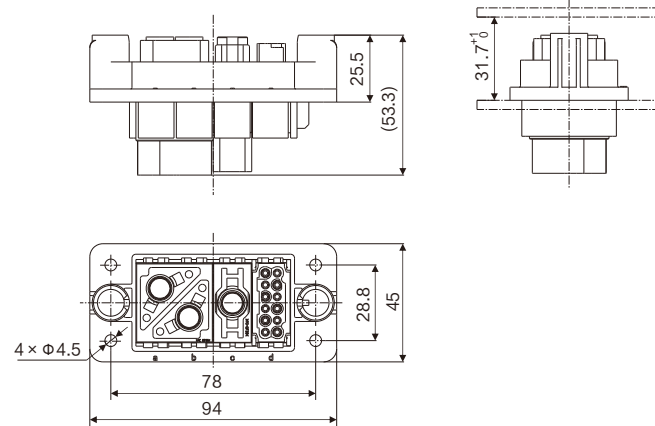
ESC-M16B-(3C150+12C10) 插头(插针)



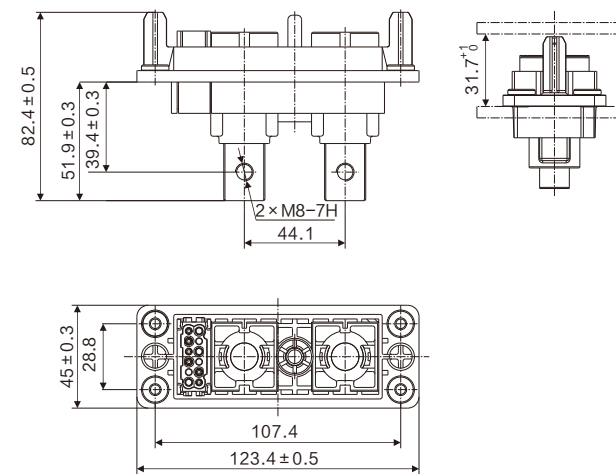
ESC-M16B-(3C150+12C10) 安装开孔尺寸



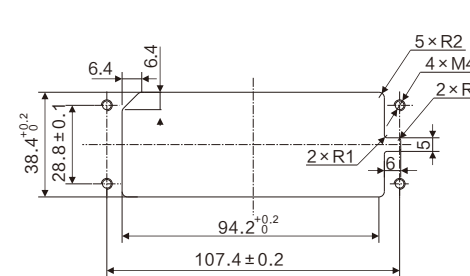
ESC-M16B-(3C150+12C10) 插座(插孔)



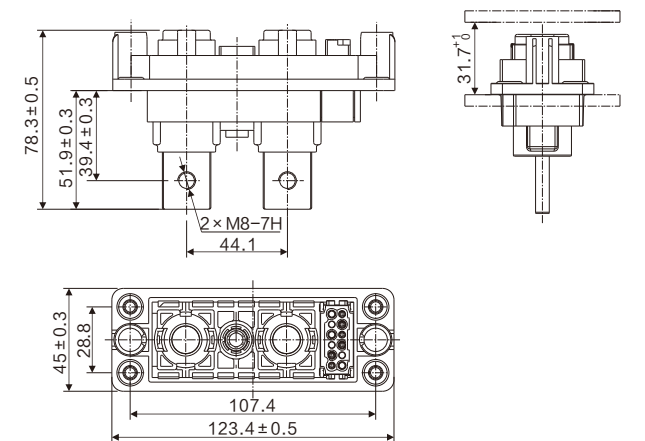
YGC1268-P(2+1+12)P 插头



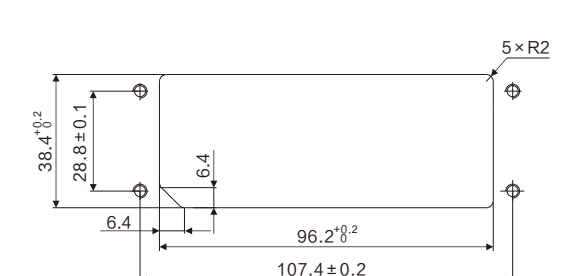
YGC1268-P(2+1+12)P 插头安装开孔尺寸



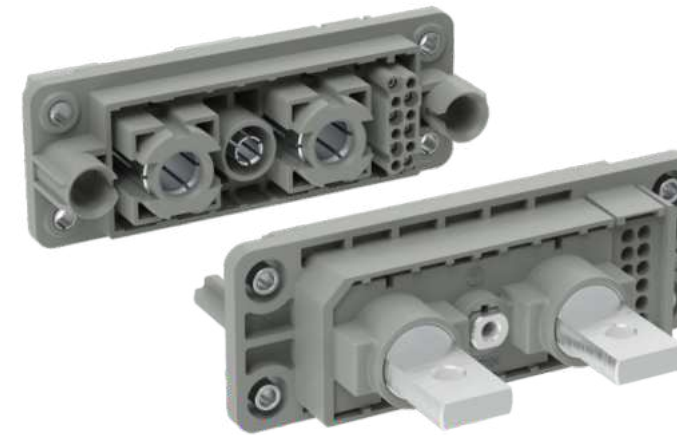
YGC1268-S(2+1+12)R 插座



YGC1268-S(2+1+12)R 插座安装开孔尺寸

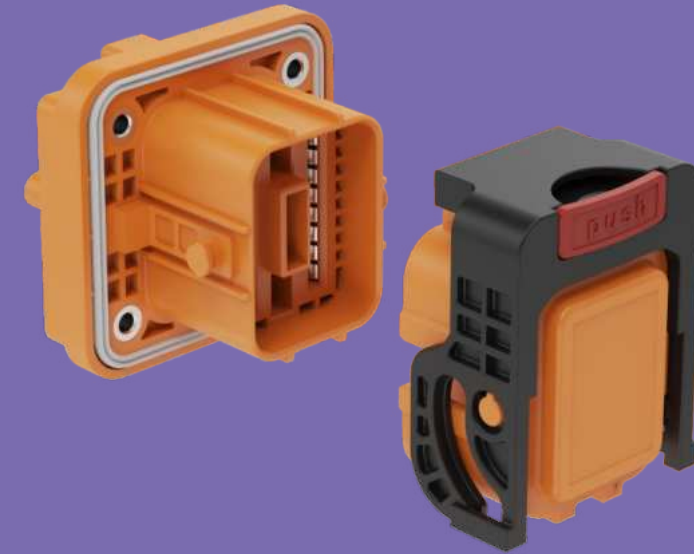
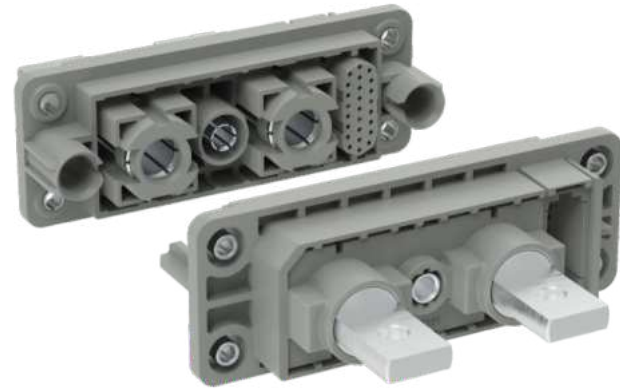


| 应用范围 Application   |
|--|
| ● 储能系统（电池pack）的功率以及信号传输。<br>Power and signal transmission of energy storage equipment (battery pack).          |
| 产品描述 Description   |
| ● 功率信号混装 Mixed power signal installation   |
| ● 浮动安装 Floating installation   |
| ● 端接方式 Termination Methods: 冷压 Crimp termination、螺钉锁紧 Screw termination  |
| 性能参数 Specification   |
| ● 芯数 Pins: 2+1+12  |
| ● 额定电流 Current Rating: 250A(Power)、80A(PE)、10A(Signal)   |
| ● 额定电压 Voltage Rating: 600V(Power)、250V(Signal) DC   |
| ● 耐压 Dielectric Withstanding Voltage: 2500V(Power、PE)、1000V(Signal)  |
| ● 绝缘电阻 Insulation Resistance: $\geq 500M\Omega$  |
| ● 工作温度 Operating Temperature: $-40^{\circ}\text{C} \sim +125^{\circ}\text{C}$                                  |
| ● 线缆规格 Cable specification: $80\text{mm}^2$ (Power)、 $16\text{mm}^2$ (PE)、 $0.14 \sim 0.5\text{mm}^2$ (Signal) |
| ● 温升 Temperature rise: $\leq 45\text{K}$   |
| ● 浮动公差 Floating tolerance: $\pm 1\text{mm}$  |
| ● 机械寿命 Mechanical Life: 500 cycles   |





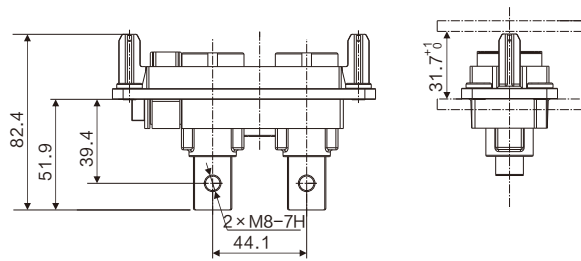
| 应用范围 Application  |
|---|
| ● 储能系统 ( 电池pack ) 的功率以及信号传输。<br>Power and signal transmission of energy storage equipment (battery pack).   |
| 产品描述 Description  |
| ● 功率信号混装 Mixed power signal installation<br>● 浮动安装 Floating installation<br>● 端接方式 Termination Methods: 冷压 Crimp termination、螺钉锁紧 Screw termination   |
| 性能参数 Specification  |
| ● 芯数 Pins: 2+1+25<br>● 额定电流 Current Rating: 250A(Power)、80A(PE)、5A(Signal)<br>● 额定电压 Voltage Rating: 1000V(Power)、50V(Signal) DC<br>● 耐电压 Dielectric Withstanding Voltage: 2500V(Power、PE)/500V(Signal) AC 50Hz<br>● 绝缘电阻 Insulation Resistance: $\geq 500M\Omega$<br>● 工作温度 Operating Temperature: $-40^{\circ}\text{C} \sim +125^{\circ}\text{C}$<br>● 线缆规格 Cable specification: 80mm <sup>2</sup> (Power)、16mm <sup>2</sup> (PE)、0.14-0.5mm <sup>2</sup> (Signal)<br>● 温升 Temperature rise: $\leq 45\text{K}$<br>● 浮动公差 Floating tolerance: $\pm 2\text{mm}$<br>● 机械寿命 Mechanical Life: 500 cycles<br>● 认证证书 Certification: UL4128 |



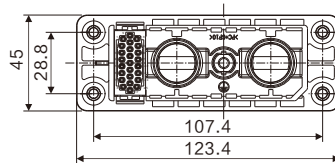
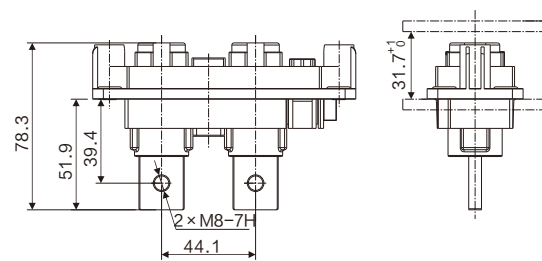
手  
开  
动  
关  
维  
系  
护  
列

MANUAL SERVICE DISCONNECTOR

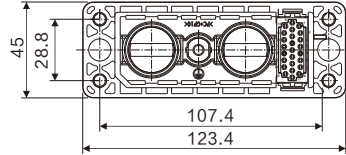
YGC1268-P(2+1+25)P插头



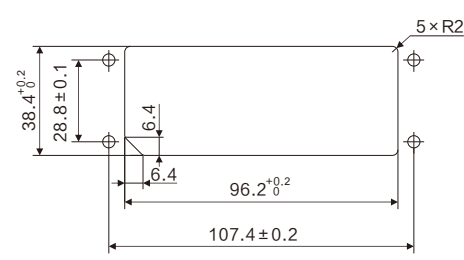
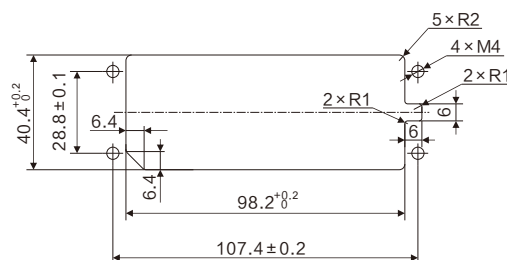
YGC1268-S(2+1+25)R插座



YGC1268-P(2+1+25)P插头安装开孔尺寸



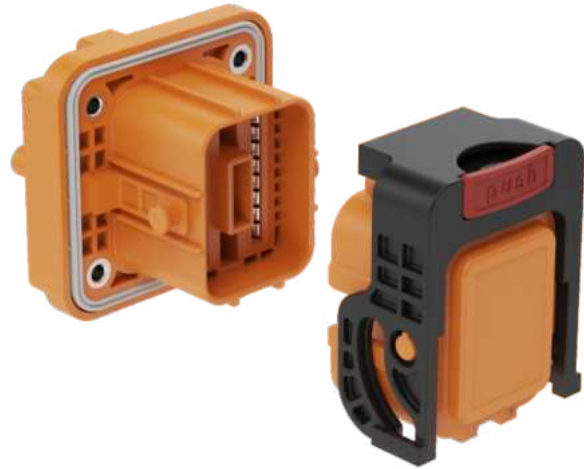
YGC1268-S(2+1+25)R插座安装开孔尺寸



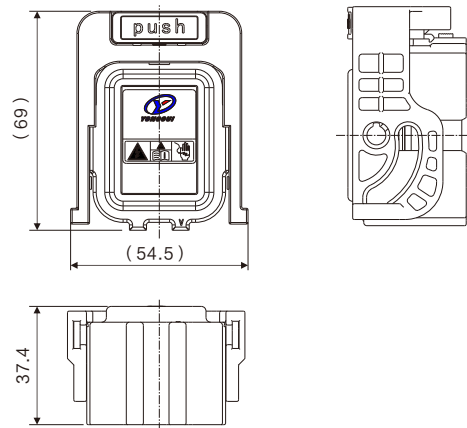
# ESC-MSD电连接器

ESC-MSD CONNECTOR INTRODUCTION

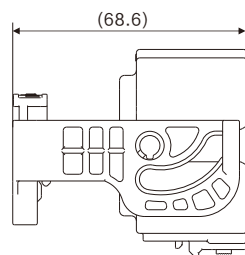
|  |
|--|
| <b>应用范围 Application</b>  |
| ● 储能电柜、新能源汽车等应用领域。<br>Application fields such as energy storage cabinets and new energy vehicles.  |
| <b>产品描述 Description</b>  |
| ● 高压互锁 High Voltage Interlock Loop<br>● 锁紧方式 Lock mode: 把手 handle 二次锁紧 Secondary locking<br>● 端接方式 Termination Methods: 螺钉锁紧 Screw termination |
| <b>性能参数 Specification</b>  |
| ● 芯数 Pins: 2   |
| ● 额定电流 Current Rating: 250A(2/0 AWG)、350A(4/0 AWG)、400A(250kcmil)  |
| ● 额定电压 Voltage Rating: 1500V DC  |
| ● 耐电压 Dielectric Withstanding Voltage: 6800V AC 50Hz   |
| ● 绝缘电阻 Insulation Resistance: $\geq 5000M\Omega$   |
| ● 工作温度 Operating Temperature: $-40^{\circ}\text{C} \sim +125^{\circ}\text{C}$  |
| ● 温升 Temperature rise: $\leq 45\text{K}$   |
| ● 防护等级 Protection Class: IP68(Mated)   |
| ● 机械寿命 Mechanical Life: $\geq 200$ cycles  |
| ● 认证证书 Certification: UL、TUV、CE  |



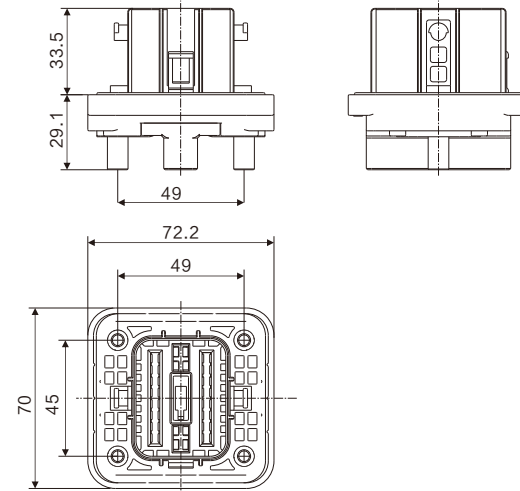
ESC-MSD插头



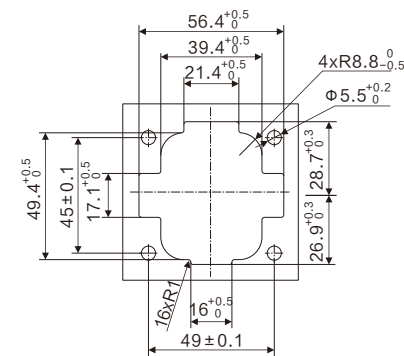
把手打开视图



ESC-MSD插座



ESC-MSD安装开孔尺寸

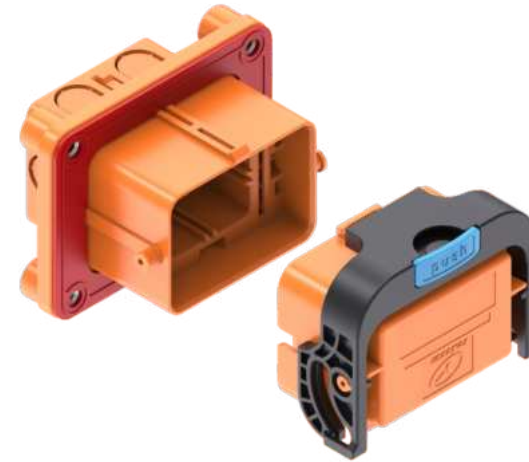


# YGC1052 电连接器

YGC1052 CONNECTOR INTRODUCTION

插座后安装

Base Mounts From Inside Of Device-back Panel Mounting



插座前安装

Base Mounts From Outside Of Device-back Panel Mounting



# YGC1040 电连接器

YGC1040 CONNECTOR INTRODUCTION



性能参数 Specification

| 产品型号<br>Type | 二次锁紧<br>Secondary Lock Function | 防呆键位<br>Poka-yoke | 高压互锁<br>HVIL | 触电防护<br>Touch-proof | 额定电流 (A)<br>Rated Current | 额定电压(V)<br>Rated Voltage |
|--------------|---------------------------------|-------------------|--------------|---------------------|---------------------------|--------------------------|
| YG1052       | ✓                               |                   | ✓            | ✓                   | 200                       | 750                      |
| YG1040       | ✓                               | ✓                 | ✓            | ✓                   | 250                       | 750                      |





信号系列

SIGNAL CONNECTOR

信号系列

# YGC583-RJ45电连接器

YGC583-RJ45 CONNECTOR INTRODUCTION



### 应用范围 Application

- 储能系统（电池pack）的信号传输。  
Signal transmission of energy storage system (battery pack).

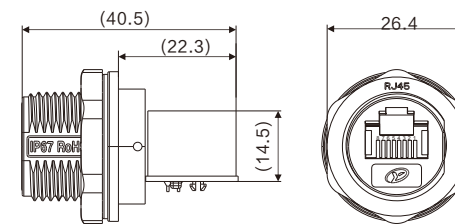
### 产品描述 Description

- 外形简单，体型小，方便组装  
Simple appearance, small size, easy to assemble
- 使用网络接口标准  
Use network interface standards
- 满足客户穿墙和焊接定制需求  
To meet customer wall penetration and welding customization needs

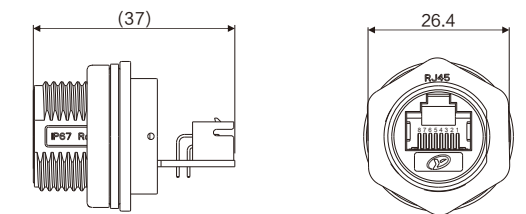
### 性能参数 Specification

- 芯数Pin: 8
- 额定电流Current Rating: 0.2A
- 额定电压Voltage Rating: 32V DC
- 耐压Dielectric Withstanding Voltage: 500V AC 50Hz
- 绝缘电阻Insulation Resistance:  $\geq 500M\Omega$
- 传输速率Transfer Rate:  $\geq 100M$
- 工作温度Operating Temperature:  $-25^{\circ}C \sim +85^{\circ}C$
- 线径范围Cable range: 超五类网线
- 防护等级Protection Class: IP67
- 机械寿命Mechanical Life:  $\geq 750$  cycles
- 认证证书(Certification): CE、UL、TUV

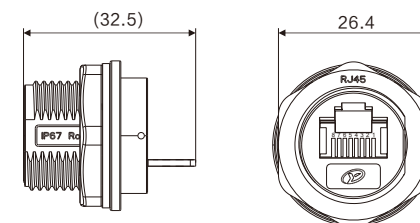
YGC583-RJ45RC/RE 插座



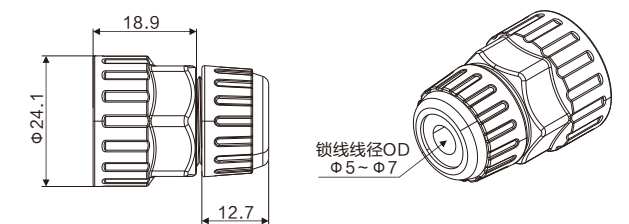
YGC583-RJ45RG/RH 插座



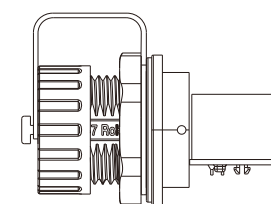
YGC583-RJ45RD/RF 插座



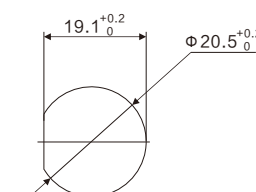
YGC583-RJ45PA/PB 插头



RJ45RC插座装配防水盖组件后外形图示



YGC583-RJ45插座推荐开孔尺寸



水晶头外形图示



单芯高防护系列(1代)

单芯高防护系列(2代)

单芯风冷系列

混装户储系列

手动维护开关系列

信号系列

集成系列

## 应用范围 Application

- 储能系统 ( 电池pack ) 的信号传输。  
Signal transmission of the energy storage system (battery pack).

## 产品描述 Description

- 颜色/键位防呆Poka-yoke: A键位-灰色 A Key Position - Gray  
B键位-黑色 B Key Position - Black
- 安装方式 Installation Method 螺钉(M4) Screw(M4)
- 端接方式 Termination Methods:  
插头: 冷压(Crimp termination) 插座: 焊接(Weld termination)

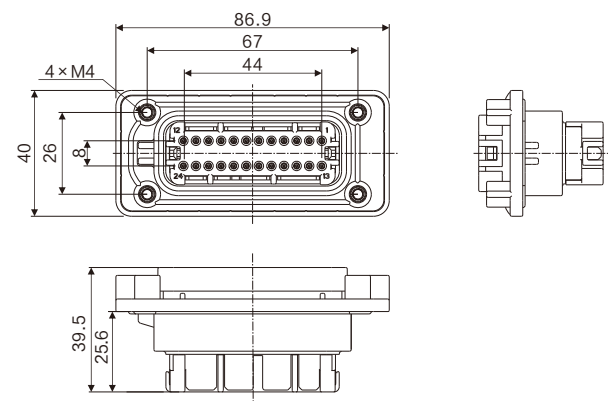
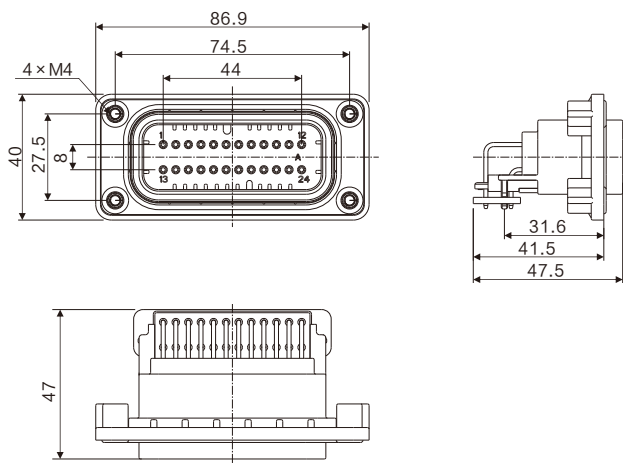
## 性能参数 Specification

- 芯数 Pins : 24
- 额定电流 Rated Current : 1A
- 额定电压 Rated Voltage : 60V
- 耐电压 Dielectric Withstanding Voltage: : 1000V AC
- 绝缘电阻 Insulation Resistance:  $\geq 100M\Omega$
- 工作温度 Operating Temperature:  $-40^{\circ}\text{C} \sim +105^{\circ}\text{C}$
- 线缆规格 Cable specification: 22AWG
- 防护等级 Protection Class: IP67 (Mated)
- 机械寿命 Mechanical Life:  $\geq 30$  cycles
- 认证证书 Certification: CE



JA1-BDT010A2插座

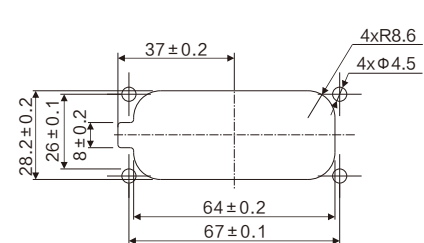
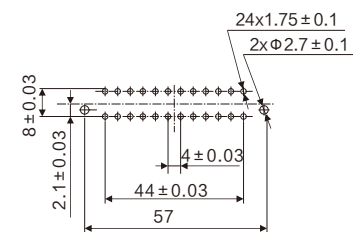
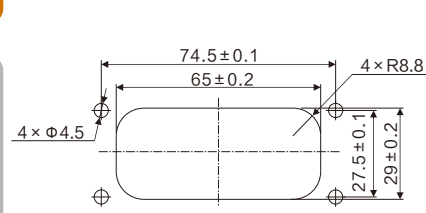
JE6-BDT010B2插头



插座面板安装开孔尺寸

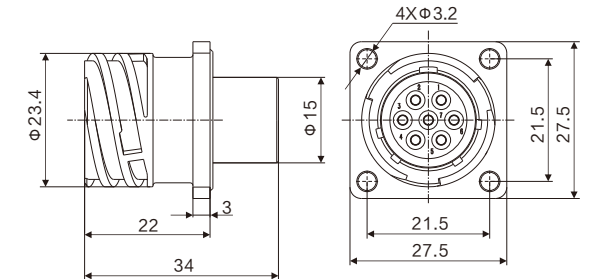
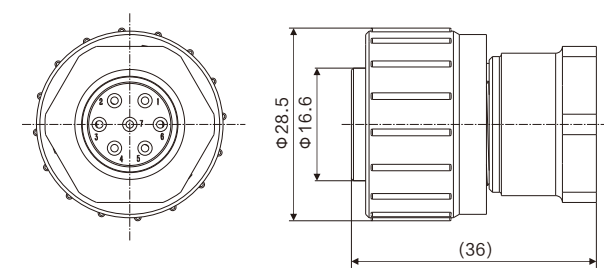
安装PCB开孔尺寸

插头安装开孔尺寸



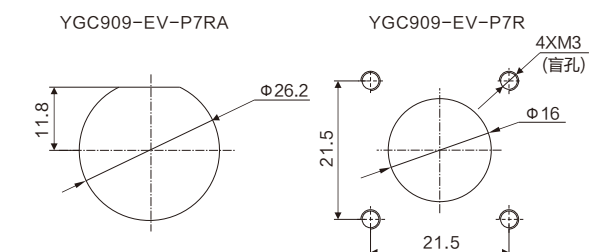
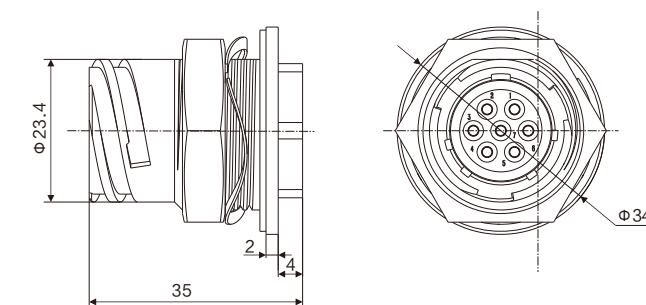
YGC909-EV-S7P插头

YGC909-EV-P7R插座



YGC909-EV-P7RA插座

YGC909 7芯安装开孔尺寸



## 应用范围 Application

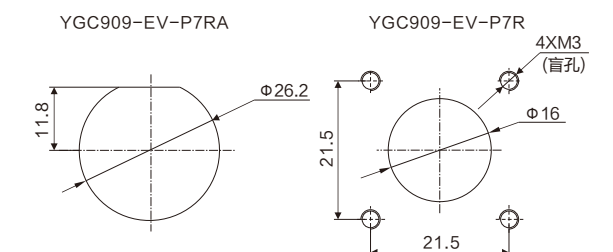
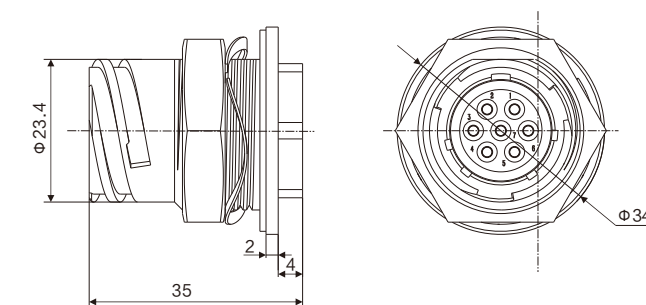
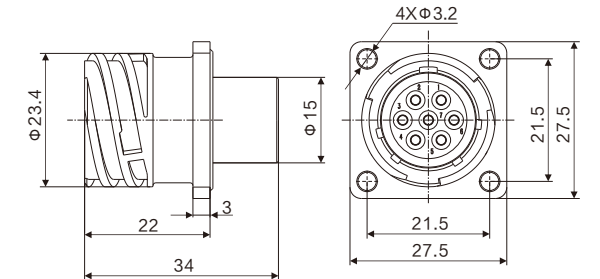
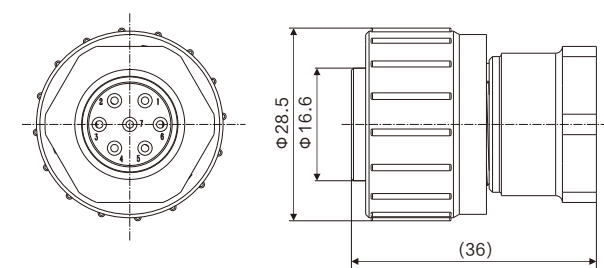
- 信号系统连接 Signal System

## 产品描述 Description

- 螺旋结构 Helical Structure
- 线径范围 Cable Range: 0.5 ~ 1.5mm<sup>2</sup>
- 防呆键位 Poka-yoke
- 7芯连接器 7 Core Connector

## 性能参数 Specification

- 额定电流 Rated Current:  
信号 Signal 2A(0.5/0.75mm<sup>2</sup>)、5A(1mm<sup>2</sup>)、10A(1.5mm<sup>2</sup>)
- 额定电压 Rated Voltage: 24V
- 耐电压 Dielectric Withstanding Voltage: 1000V AC 50Hz
- 工作温度 Temperature Range:  $-40^{\circ}\text{C} \sim +125^{\circ}\text{C}$
- 防护等级 IP Rating: IP67 & IP6K9K、IPXXB





# YGC1024电连接器

YGC1024 CONNECTOR INTRODUCTION

## 应用范围 Application

- 信号系统连接Signal System

## 产品描述 Description

- 二次锁紧Secondary Lock Function
- 线径范围Cable Range: 0.5 ~ 1.5mm<sup>2</sup>
- 防呆键位Poka-yoke
- 32芯连接器32 Core Connector

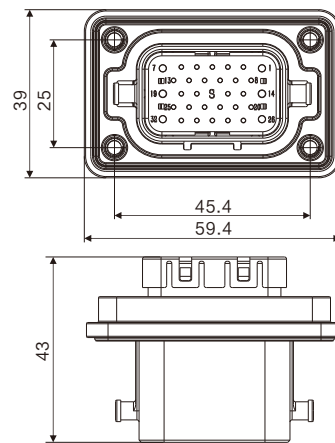
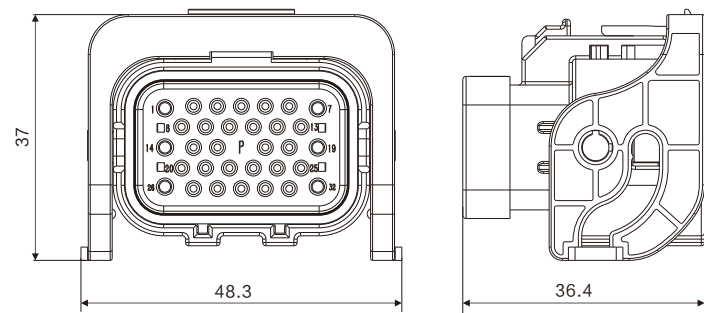
## 性能参数 Specification

- 额定电流Rated Current:  
信号Signal 2A(0.5/0.75mm<sup>2</sup>)、5A(1mm<sup>2</sup>)、10A(1.5mm<sup>2</sup>)
- 额定电压Rated Voltage: 24V
- 耐电压Dielectric Withstanding Voltage: 1000V AC 50Hz
- 工作温度Temperature Range: -40℃ ~ +125℃
- 防护等级IPRating: IP67&IP6K9K、IPXXB

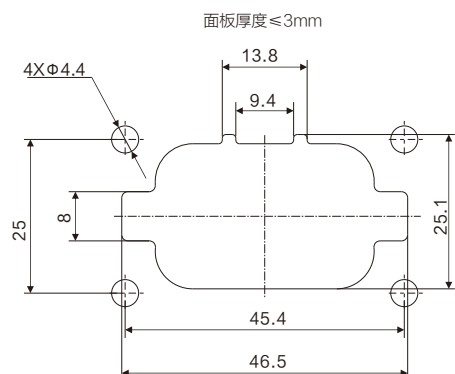


YGC1024-EV-S32P插头

YGC1024-EV-P32R插座



YGC1024 32芯安装开孔尺寸



集成系列

INTEGRATION SERIES

集成系列

## 储能高压线束

HIGH VOLTAGE HARNESS FOR ENERGY STORAGE

### 应用范围 Application

- 电动汽车、储能系统 Electric vehicles, energy storage systems

### 产品描述 Description

- 连接 Connect: 电池组、电机、控制器等电力设备 Power equipment such as battery packs, motors, controllers, etc
- 可定制 Customizable



集成系列

## 混装连接器线束

WIRING HARNESS FOR THE MIXED CONNECTOR

### 应用范围 Application

- 储能机柜 Energy storage racks

### 产品描述 Description

- 连接 Connect: 电池包电源及信号线 Power and signal cables for battery pack
- 可定制 Customizable



集成系列

## 整机采样线束

WIRING HARNESS FOR THE WHOLE MACHINE SAMPLING

### 应用范围 Application

- 储能机柜 Energy storage racks

### 产品描述 Description

- 连接 Connect: 电池包电源及信号线 Power and signal cables for battery pack
- 可定制 Customizable



线束系列

## RJ45采样线束

WIRING HARNESS FOR RJ45 SAMPLING

### 应用范围 Application

- 储能机柜 Energy storage racks

### 产品描述 Description

- 连接 Connect: 信号线 Signal cables (可选配RJ45对插头 The RJ45 connector is optional)
- 可定制 Customizable



单芯高防护系列(N代)

单芯高防护系列(N代)

单芯风冷系列

混装户储系列

手动维护开关系列

信号系列

集成系列

单芯高防护系列(N代)

单芯高防护系列(N代)

单芯风冷系列

混装户储系列

手动维护开关系列

信号系列

集成系列



## 应用范围 Application

- 储能汇流柜 Energy storage combiner cabinet

## 产品描述 Description

● 高压箱是电池簇高压动力回路的管理单元，具有电池簇电压、簇电流采集，簇回路接触器控制和保护等功能。高压箱内集成断路器、接触器、熔断器、环流控制电路、电流传感器、二级电源管理系统、开关电源等器件。二级电源管理系统具有通讯总线接口，可实现高压箱与三级电源管理系统以及储能变流器(PCS)、PLC、EMS之间的通讯功能，实现电池簇的控制、保护、通讯和数据交换功能。

The high-voltage box is the management unit of the high-voltage power circuit of the battery cluster, which has functions such as battery cluster voltage and current collection, cluster circuit contactor control and protection. Integrated circuit breakers, contactors, fuses, circulating current control circuits, current sensors, secondary power management systems, switching power supplies, and other components inside the high-voltage box. The secondary power management system has a communication bus interface, which can realize the communication function between the high-voltage box and the tertiary power management system, as well as the energy storage inverter (PCS), PLC, EMS, and control, protection, communication, and data exchange functions of the battery cluster.



永 贵 连 接  
Connectors of Yonggui

连 接 专 家  
Connecting to specialists



客户展示  
PRODUCT CUSTOMER DISPLAY

