


Technical Data Sheet---YGEV5 Series Electrical Connectors

• Product Overview

 <p>Application Suitable for electrical connection of MCU, battery pack, high voltage box, etc. of electric vehicles.</p>	<p>Advantages</p> <ul style="list-style-type: none"> ✓ 360 degree full shielding; ✓ Secondary interlocking and unlocking; ✓ Counter-insertion and installation of anti-dumping; ✓ Handle locking; ✓ Ultrasonic welding of plug terminals.
---	---

• Ordering Information——TBD

• Technical Data

Basic Information	
Number of pins	2pin
Cable Specifications	Plugs - power pins; Receptacles - power sockets, signal pins
Outlet direction	90°

Electrical Performance	
Rated Voltage	1000 V (Power) , 24 V (Signal)
Rated current	300A (70mm ²) 、 200A (50mm ²)
Insulation resistance	≥100MΩ (Power/ Signal) (1000V DV)
Withstanding Voltage	3000 V (Power) , 1000 V (Signal) (50Hz AC Normal)
Contact resistance	≤0.32mΩ (70mm ² Power Contact) 、 ≤0.36mΩ (50mm ² Power Contact) 、 ≤10mΩ (0.35mm ² Signal Contact)
HVIL	是
Electrical continuity between shells/shield contact resistance	Between cable shield and plug shield: ≤3mΩ Between plug and receptacle: ≤4mΩ Between receptacle and mounting panel: ≤2mΩ

Mechanical Performance	
Total pull-out force	≤75N
Insertion force	≤75N

Locking force	≥110N
Mechanical life	≥50 times
Vibration	V2 (USCAR 37)
Shock	V2 (USCAR 37)

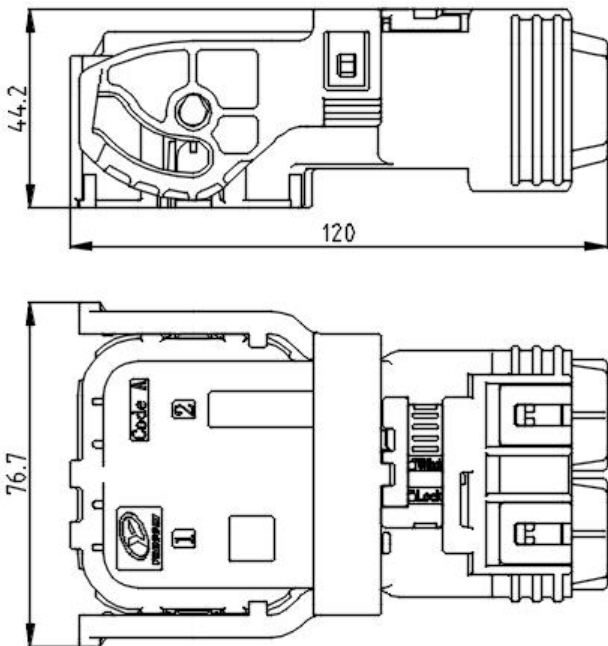
Environmental Performance	
Working Temperature	-40°C~+125°C
Relative Humidity	95% (40°C)
Salt spray	96h
Protection Grade	IP67&IP6K9K
Pollution level	2
Altitude	≤4000m

Material/Coating/Appearance	
Shells	PA66-GF25 (Orange)
Insulators	Plug end: PA66-GF25 (black)
Pinhole Parts/Terminals	Power parts: Copper alloy/Silver plated, Signal parts: Copper alloy/Silver plated

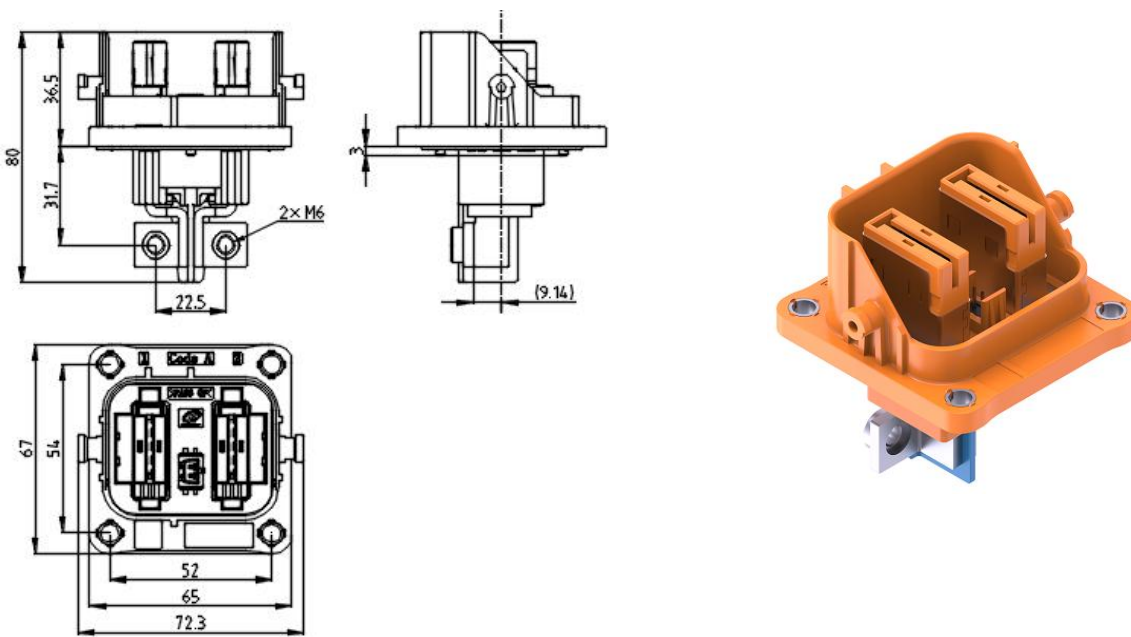
Standards & Certifications	
Flame retardant grade	UL94 V-0(Plastic), HB(Rubber)
Environmental Requirements	RoHS 2.0
Standard	USCAR 37

• Product Size

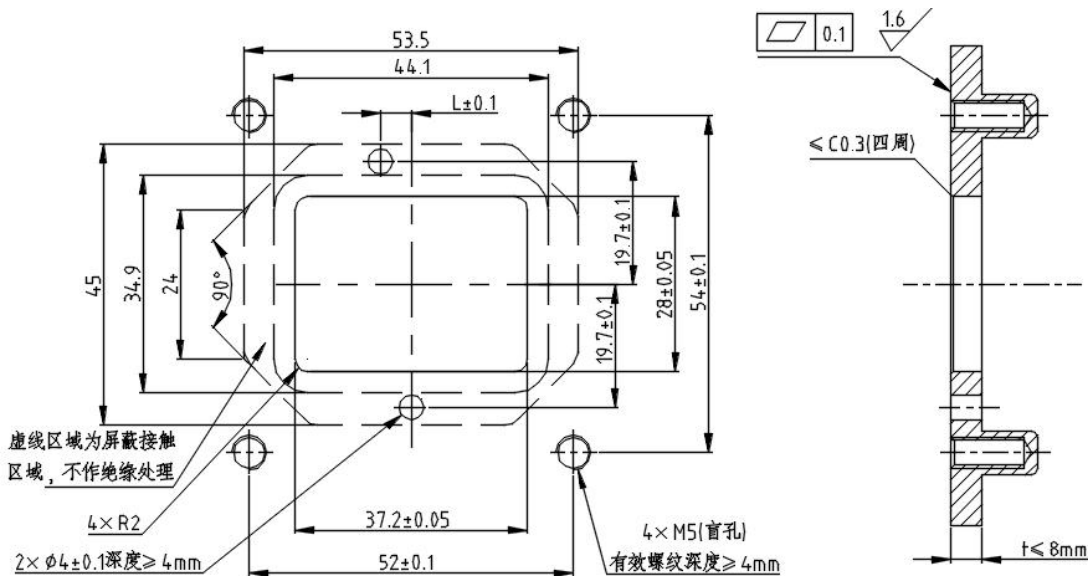
YGEV5 Series-Plug Assembly Outline (Tolerance:±0.5)



YGEV5 Series-Receptacle Assembly Outline (Tolerance:±0.5)



YGEV5 Series-Receptacle Mounting Opening Dimensions (Unnoted Tolerance: ±0.1)



键位	A	B	C	D
L (mm)	2.5	5	-2.5	-5

• Installation Instructions

Specialized tools	
Removal Tools	/
Needle Feeder Tool	/

Crimping Tools	/
Other Tools	/